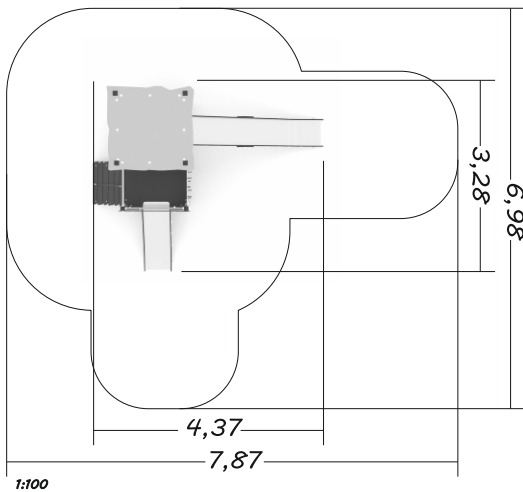


crooc 0303C9 PLAYGROUND EQUIPMENT

Device Specifications	
Safety zone	35,60 m ²
Length	3,28 m
Width	4,37 m
Total height	3,40 m
Free fall height	1,80 m
Age range	3-14 yrs
In accordance w/ EN standards	1176-1:2009
Availability of spare parts	Yes



Minimal space



COMPOSITION ELEMENTS	
Slide height 0,9 m	1 pc.
Slide height 1,8 m	1 pc.
tower with shed roof	1 pc.
tower with no roof	1 pc.
entrance a rope	1 pc.
Mini shop	1 pc.
abacus-Geometric figures	2 pc.
Educational panel	1 pc.

MATERIAL SPECIFICATION

Crook series – modernly designed multifunctional playground devices made from highest quality materials. A multitude of athletic elements and long tube slides made out of stainless steel will bring lots of joy to their users.

- 80x80 mm stainless steel construction;
- Roofs and shields made out of atmospheric condition resistant HDPE or HPL polythene plates;
- Platforms and climbing walls made out of HDPE or HPL polythene plates or durable waterproof anti-skidding plates;
- All screws covered with colorful plastic caps;
- No sharp edges or chinks that would pose a danger for jamming of the head, fingers or any other body parts;
- Steel ropes enclosed with polypropylene, linked by durable plastic elements;
- Other metal elements made out of stainless steel;
- Safe rubber plug buttons topping the construction;

Due to the free fall height of the device 0304, the EN 1176-1:2009 standard allows the following surfaces to cushion a fall. The level of granular materials requires filling in, conservation of synthetic materials is required in accordance with the manufacturer's instructions. Dimensions of the foundation are described in installation instruction.

ADDITIONAL COMMENTS

- The device is certified by an accrediting organization or declaration of conformity;
- Embedded 80 cm deep in flat ground;
- The device is designed for public playground
- The slide should not be positioned in a southbound directio

Material	Description[mm]	Minimal layer thickness [mm]	*Dimensions foundation
Tree bark	Grain size from 20 to 80	300	A
Chip	Grain size from 5 do 30	300	A
Sand	Grain size from 0,2 do 2	300	A
Gravel	Grain size from 2 do 8	300	A
Synthetic materials	Free fall approval ≥ 1800		A

