

minisweet 0102

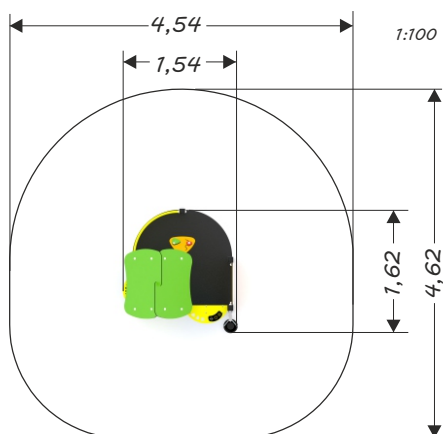
PLAYGROUND EQUIPMENT

STAINLESS STEEL DEVICE

DEVICE SPECIFICATIONS	
Safety zone	17,80 m ²
Length	1,54 m
Width	1,62 m
Total height	1,65 m
Free fall height	0,35 m
Age range	1-8 yrs
In accordance w/ EN standards	1176-1:2009
Availability of spare parts	Yes
Weight of the heaviest part [kg]	28
Dimension of the biggest part [cm]	235x15x15



Minimal space



MATERIAL SPECIFICATION

Minisweet series - playground devices for the youngest children, equipped with a variety of educational elements and handling panels that stimulate the imagination, exercise manual abilities and boost the development of motor and cognitive skills through fun activities.

- Stainless steel construction
- Roofs, shields, educational panels made out of atmospheric condition resistant HDPE polythene plates
- All screws covered with colorful plastic caps
- Platforms made out of anti-skidding plywood or HPL plate

EDUCATION AND DEVELOPMENT

- Mini shop: panel with digits and mathematical characters
- Flower: handling element
- Panel: maze and triangle with mobile elements
- Elevator for the sand, sifter for playing with sand

ADDITIONAL COMMENTS

- The device is certified by an accrediting organization
- Embedded 76/65/55 cm deep in flat ground
- The device is designed for public playgrounds

Due to the free fall height of the device, the EN 1176-1:2009 standard allows the following surfaces to cushion a fall. The level of granular materials requires filling in, conservation of synthetic materials is required in accordance with the manufacturer's instructions. Dimensions of the foundation are described in installation instruction.

Material	Description [mm]	Minimal layer thickness [mm]	Dimensions foundation
Turf/Soil			A,B,C
Tree bark	Grain size from 20 to 80	300	A,C
Chip	Grain size from 5 to 30	300	A,C
Sand	Grain size from 0,2 to 2	300	A,C
Gravel	Grain size from 2 to 8	300	A,C
Synthetic materials	Free fall approval ≥ 350		A,B,C



Vinci-play playground and outdoor fitness manufacturer