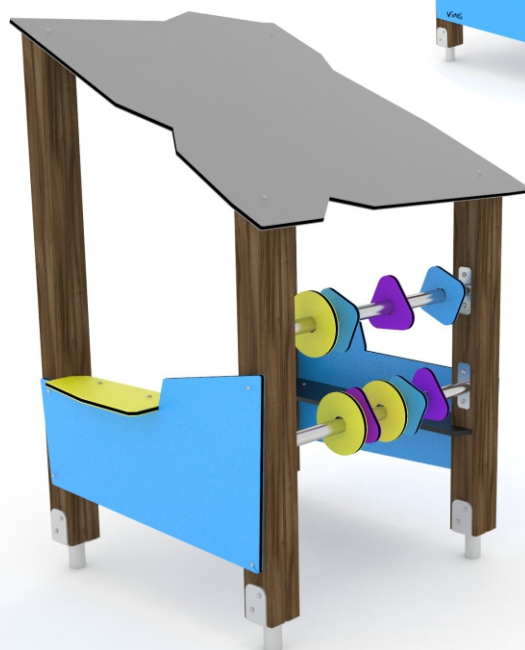
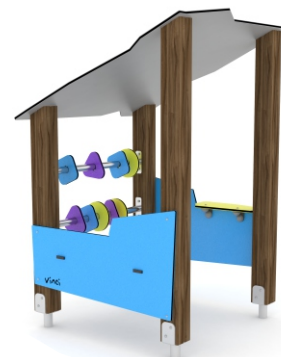
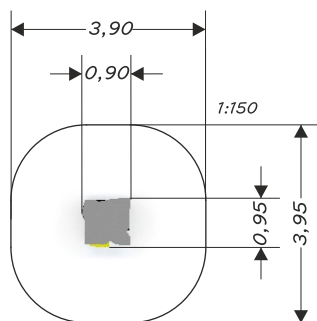


wooden WD 1401 PLAYGROUND EQUIPMENT

DEVICE SPECIFICATIONS	
Safety zone	13,22 m ²
Length	0,90 m
Width	0,95 m
Total height	1,40 m
Free fall height	<0,60 m
Age range	1-8 years
In accordance w/ EN standards	1176-1:2009
Availability of spare parts	Yes
Weight of the heaviest part [kg]	10
Dimension of the biggest part [cm]	180x9x9



Minimal space



MATERIAL SPECIFICATION

- 90 x 90 mm impregnated, laminated wood of pine, the top is protected with polypropylene caps
- Foundations are made of metal, sheltering the wood from direct contact with the ground to prevent rot and extend the products life
- Anty-slip and waterproof plywood platform and climbing walls
- Shields and roofs made out of atmospheric condition resistant HDPE polythene plates
- Stainless steel screws or covered screws with plastic caps
- No sharp edges or chinks that would pose a danger for jamming of the head, fingers or any other body parts
- Handrails and bars made out stainless steel

ADDITIONAL COMMENTS

- The device is designed for public playgrounds

Due to the free fall height of the device, the EN 1176-1:2009 standard allows the following surfaces to cushion a fall. The level of granular materials requires filling in, conservation of synthetic materials is required in accordance with the manufacturer's instructions. Dimensions of the foundation are described in installation instruction.

Material	Description [mm]	Minimal layer thickness [mm]	Dimensions foundation
Turf/Soil			A,B,C
Tree bark	Grain size from 20 to 80	300	A,C
Chip	Grain size from 5 to 30	300	A,C
Sand	Grain size from 0,2 to 2	300	A,C
Gravel	Grain size from 2 to 8	300	A,C
Synthetic materials	Free fall approval ≥600		A,B,C



Vinci-play playground and outdoor fitness manufacturer