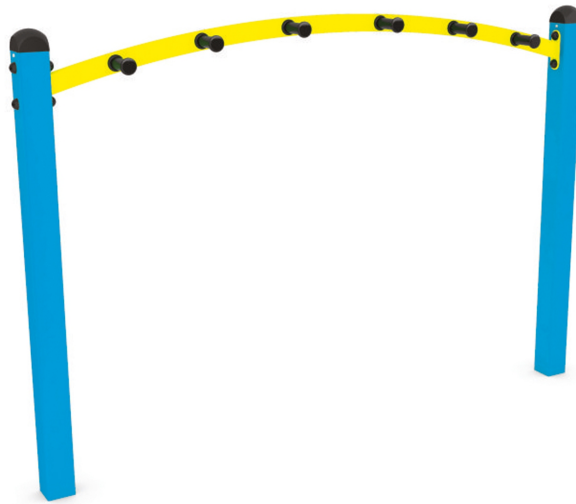


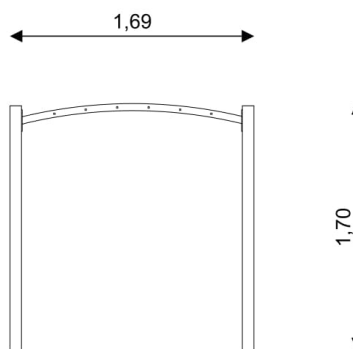
PARK 0908

HANGER



Device Specifications	
Width	1,69 m
Total height	1,70 m

Minimal space



Material Specification

- Galvanized and/or powder coated steel construction;
- Top of the construction is secured with rubber caps;
- All screws covered with colorful plastic caps;
- Handles made of durable synthetic;
- No sharp edges or chinks that would pose a danger of jamming the head, fingers or any other body parts;

Additional comments

- Depth of foundations on a flat surface 50 cm;
- The equipment is designed for public playgrounds;

