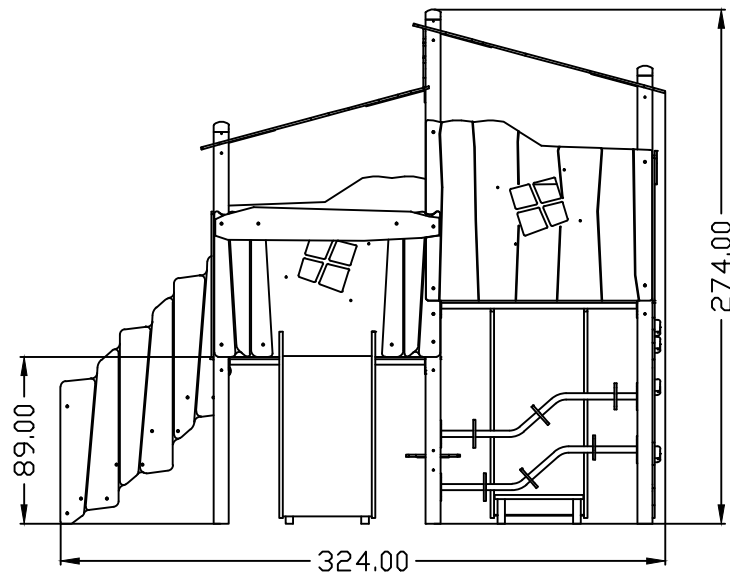
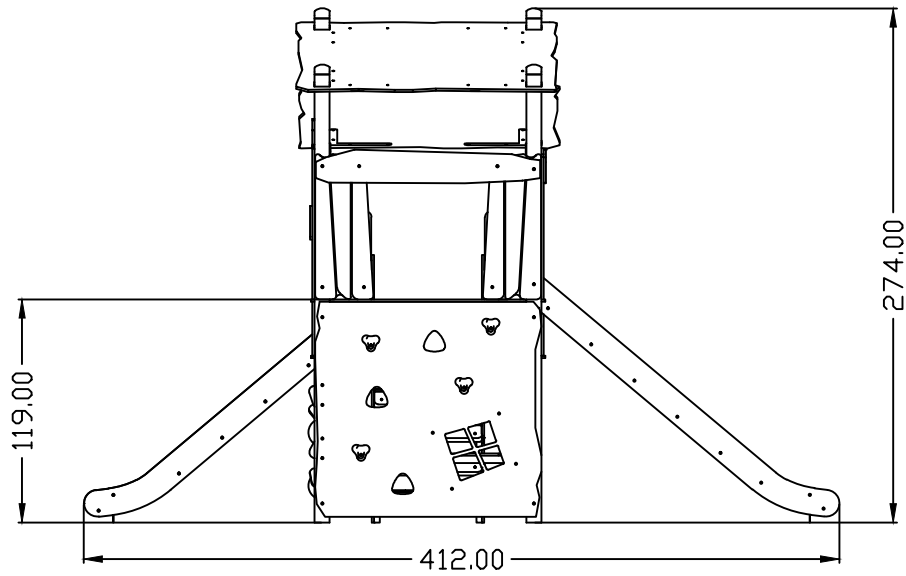
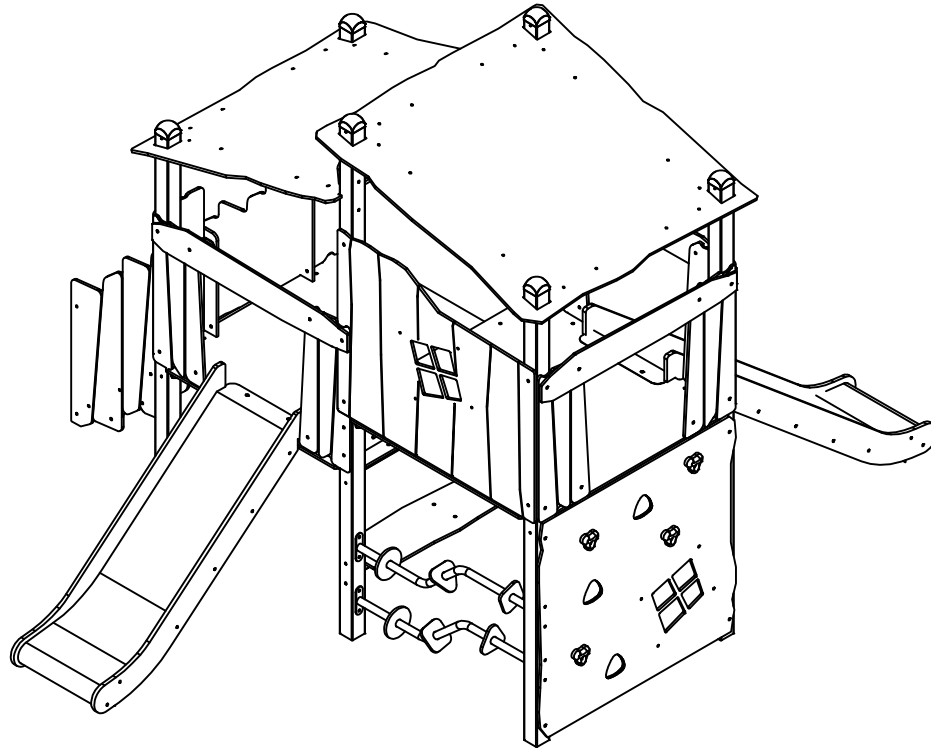
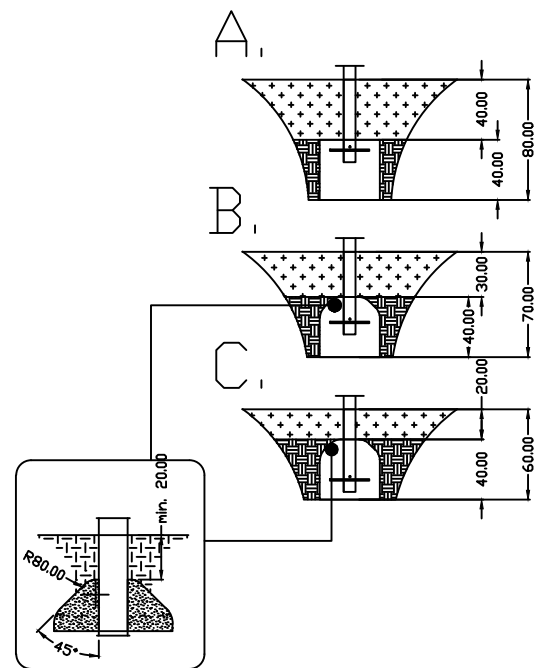
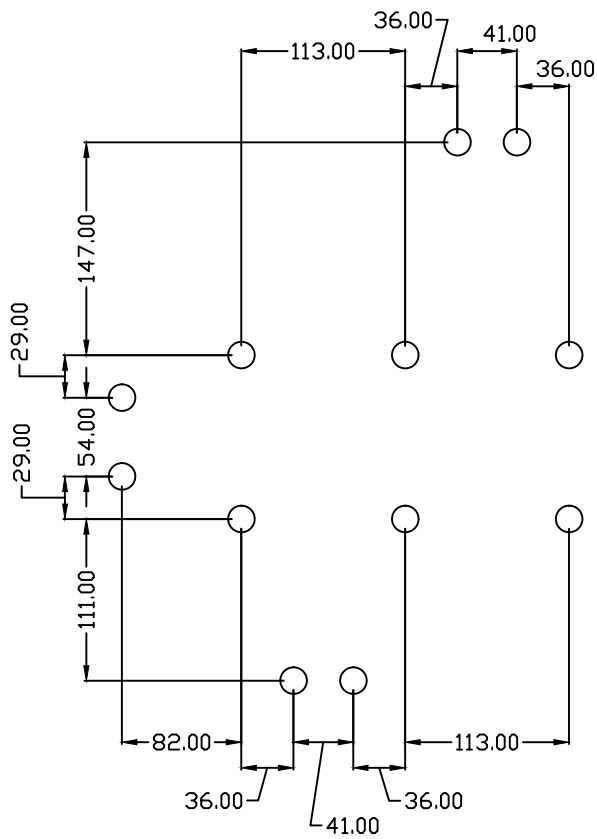
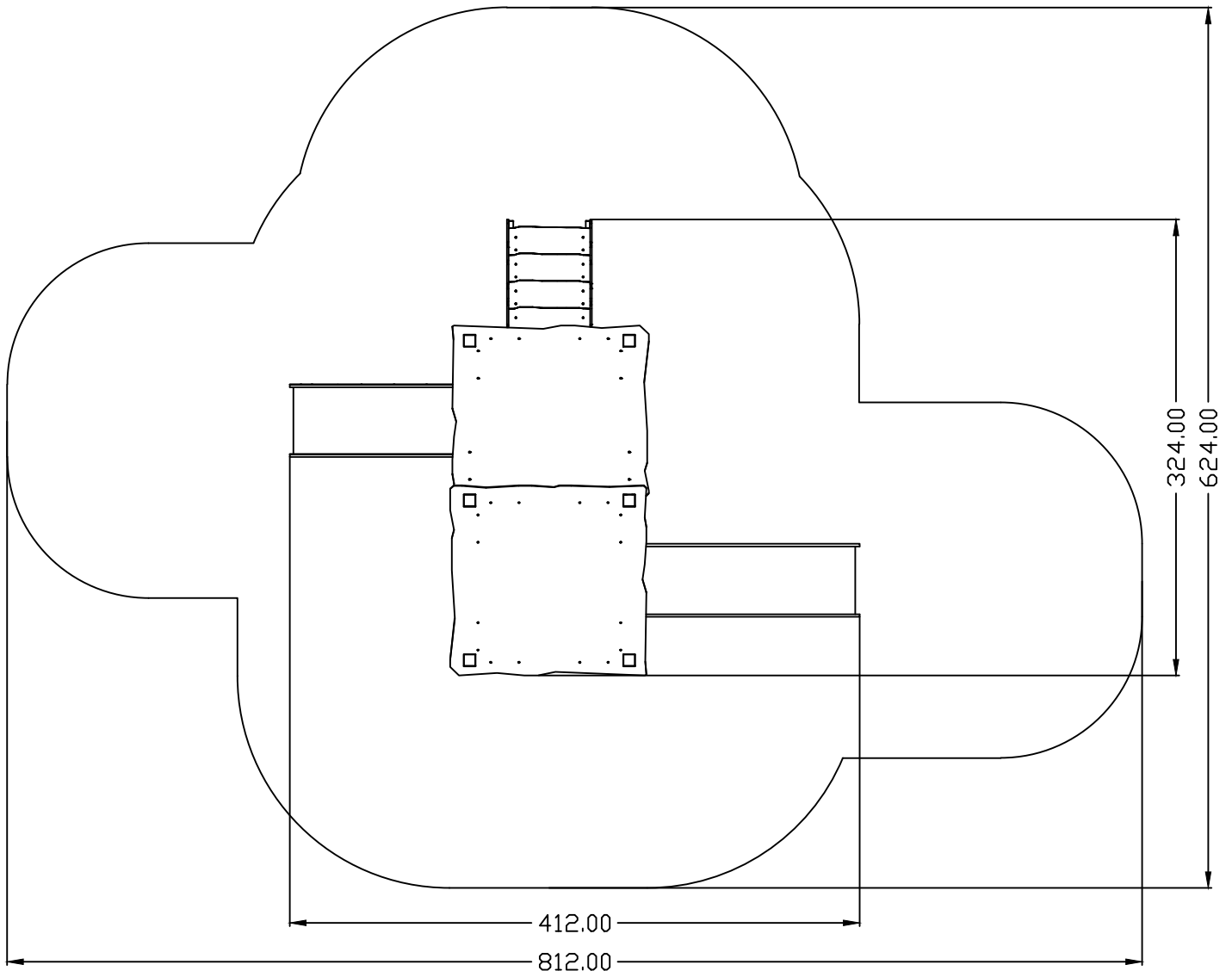
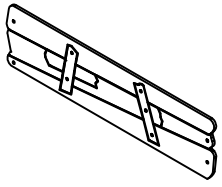


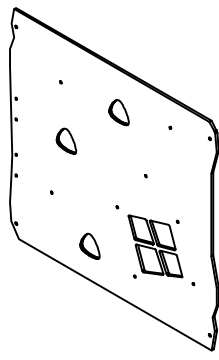
0306



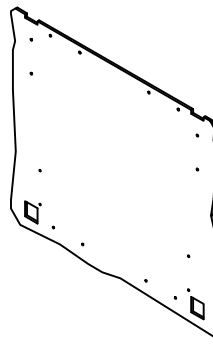




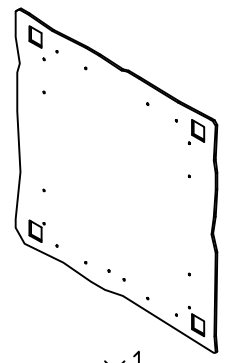
x1



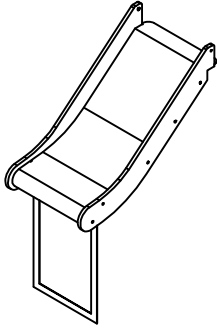
x1



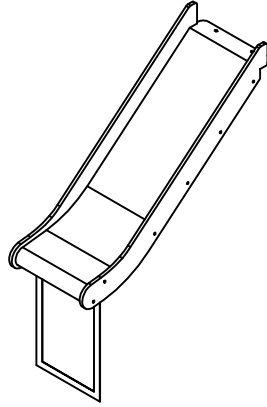
x1



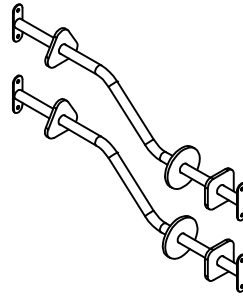
x1



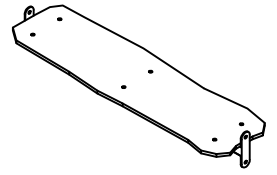
x1



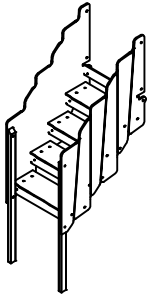
x1



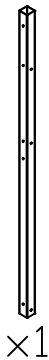
x1



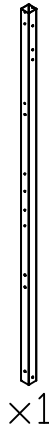
x1



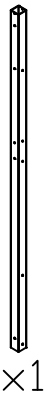
x1



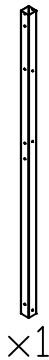
x1



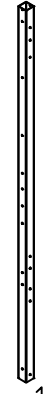
x1



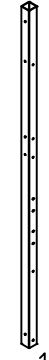
x1



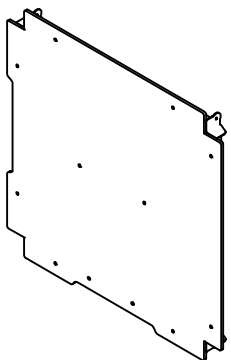
x1



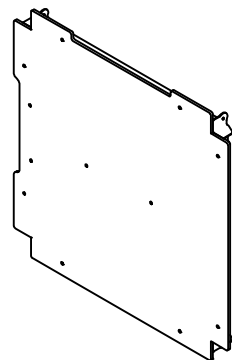
x1



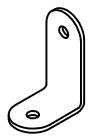
x1



x1



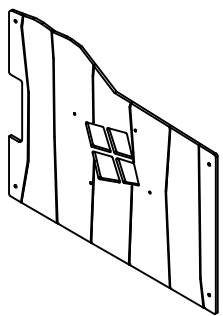
x1



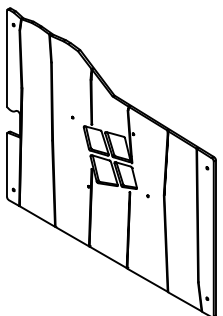
x6



x2



x1



x1



x1



x1



x3



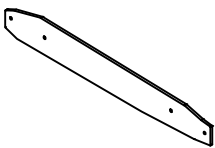
x1



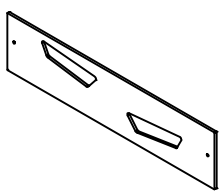
x1



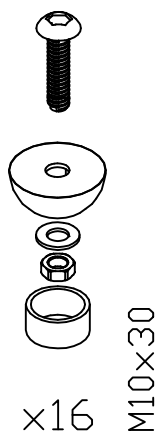
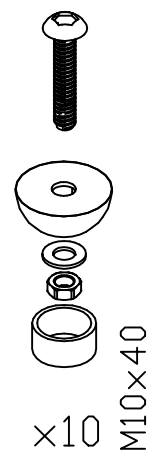
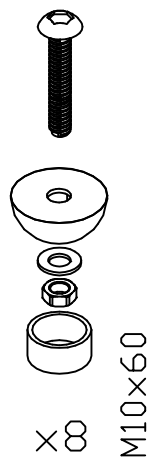
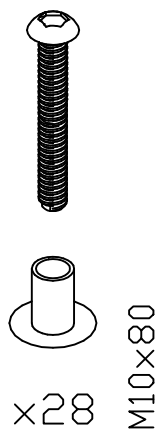
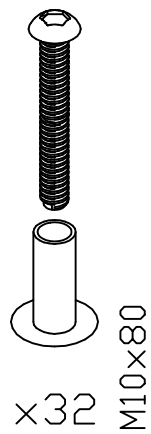
x1



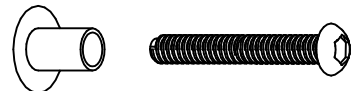
x3



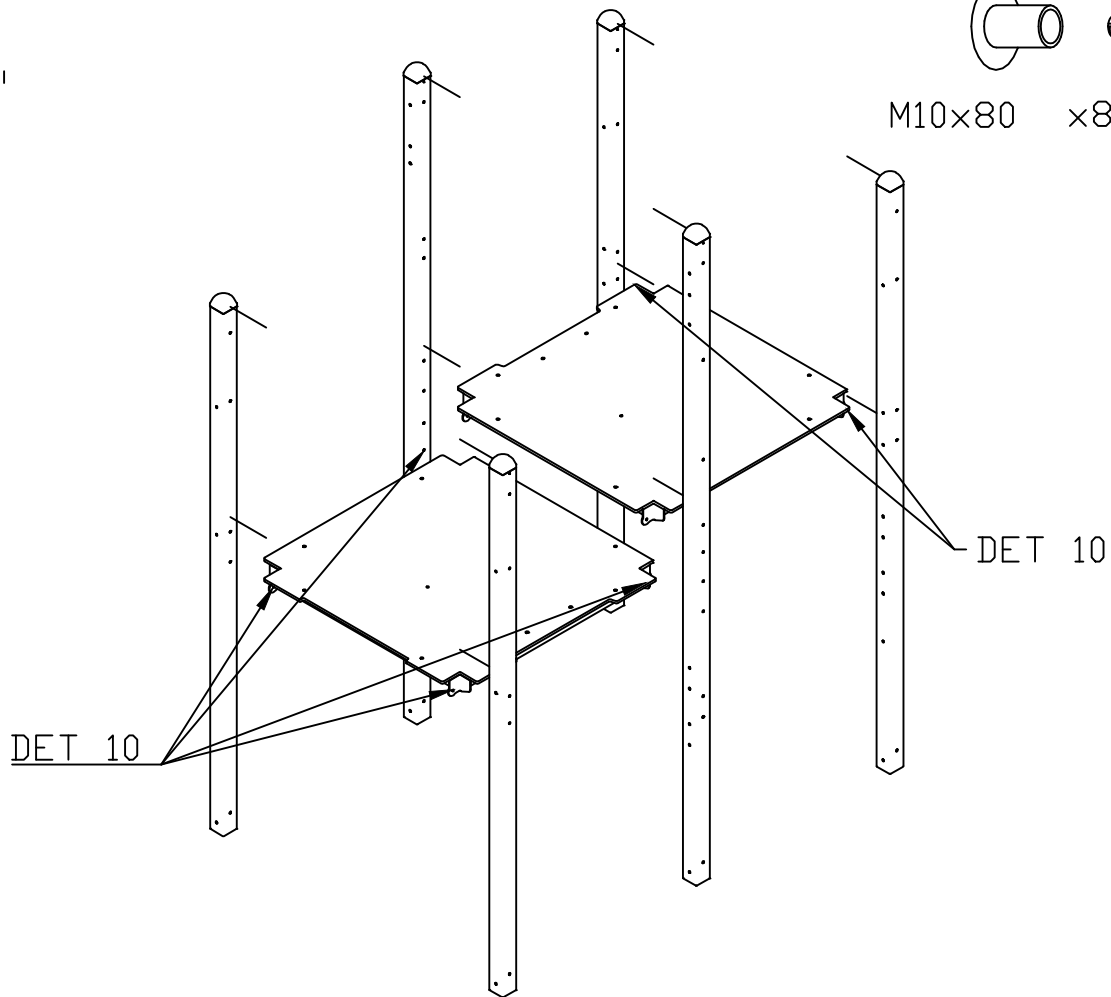
x1



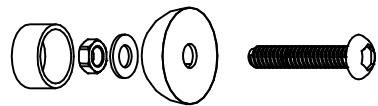
1.



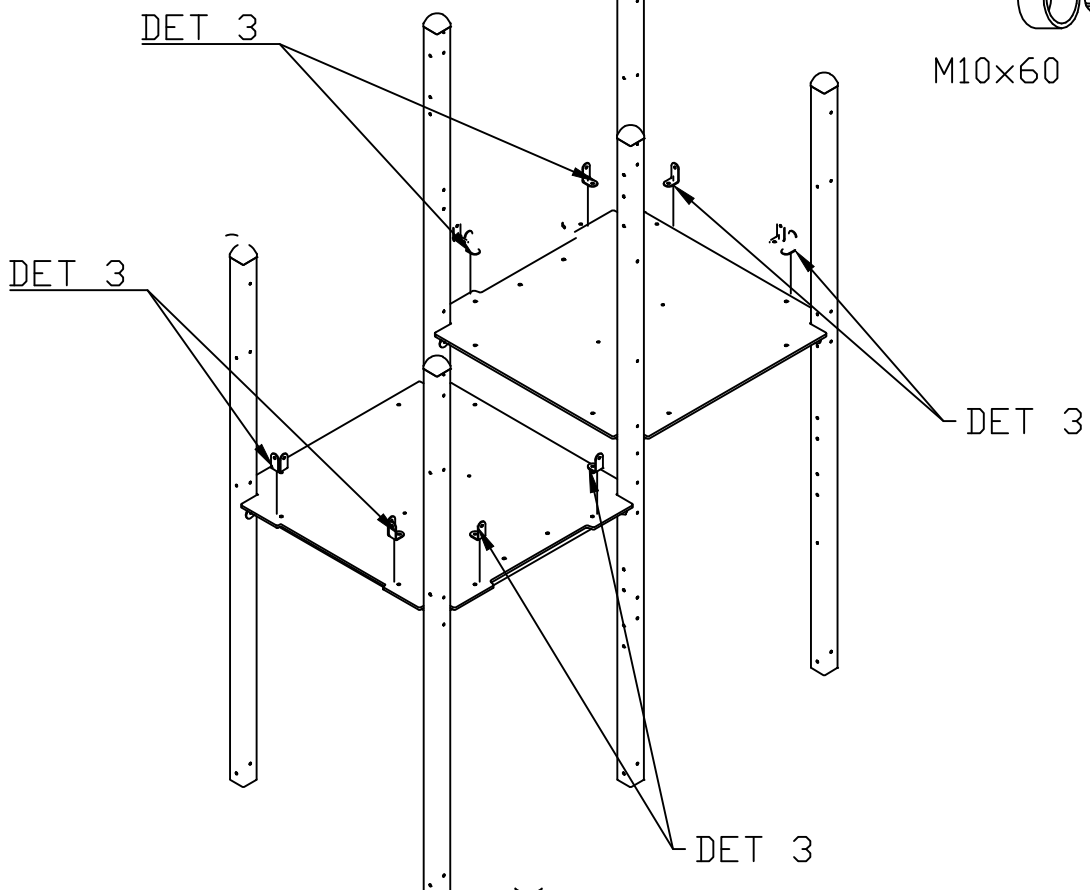
M10x80 x8



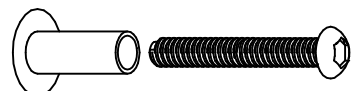
2.



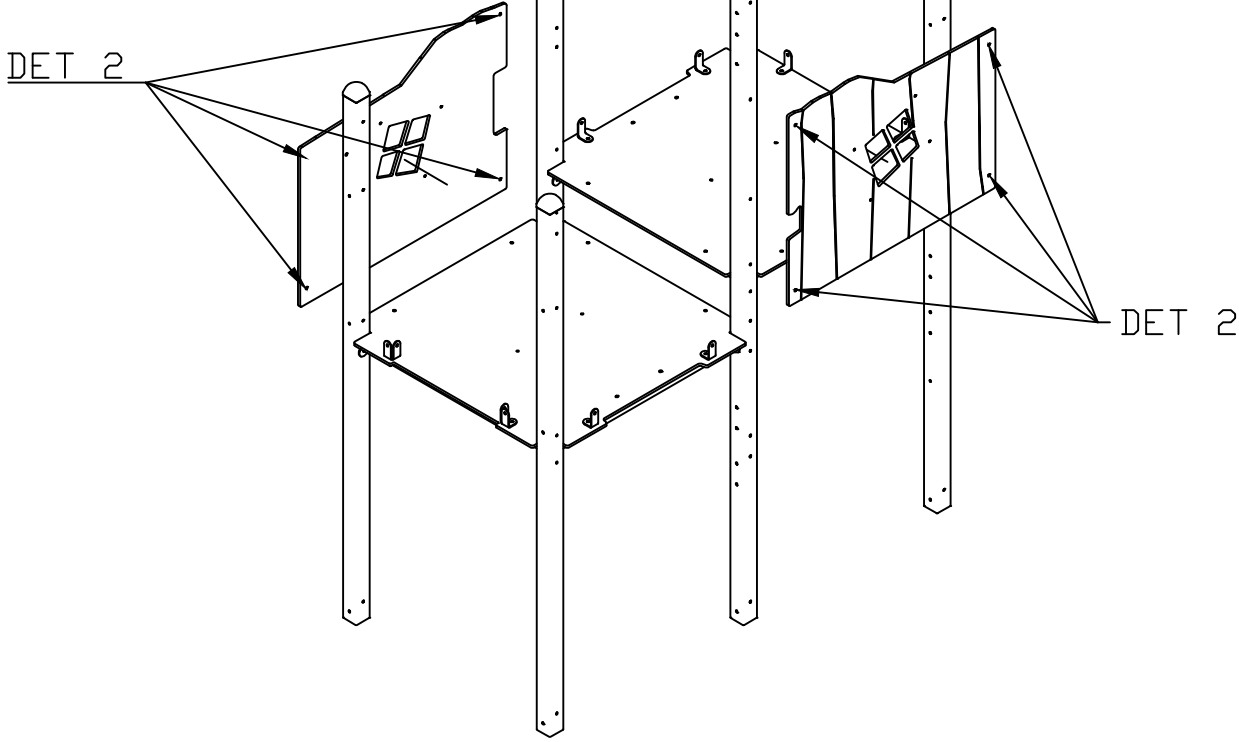
M10x60 x8



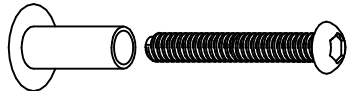
3.



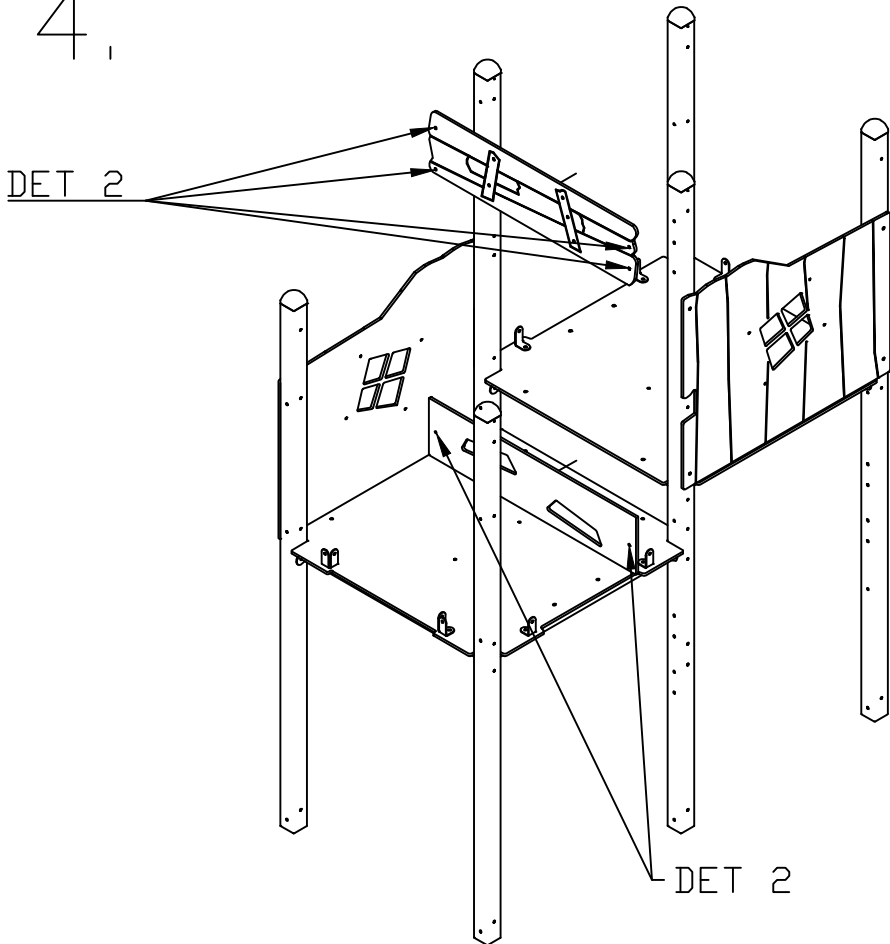
M10x80 x8



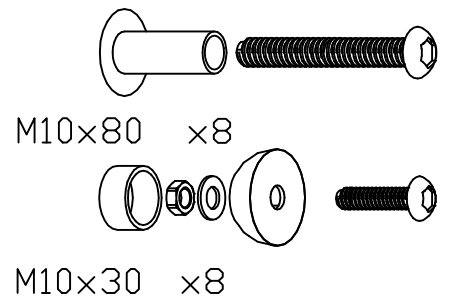
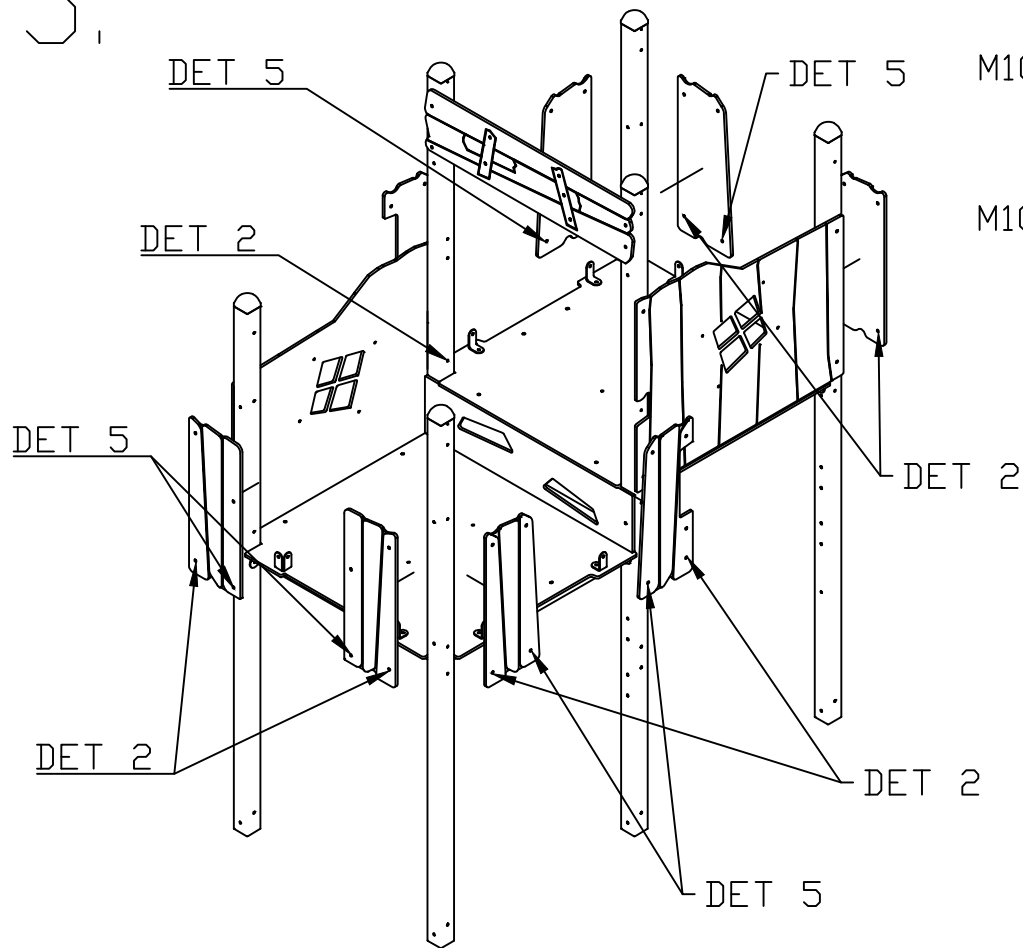
4.



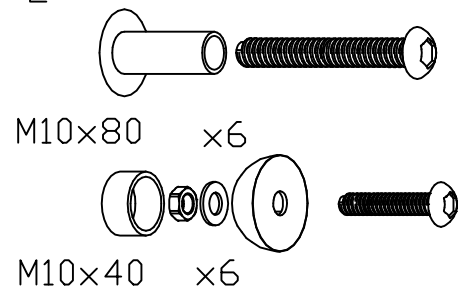
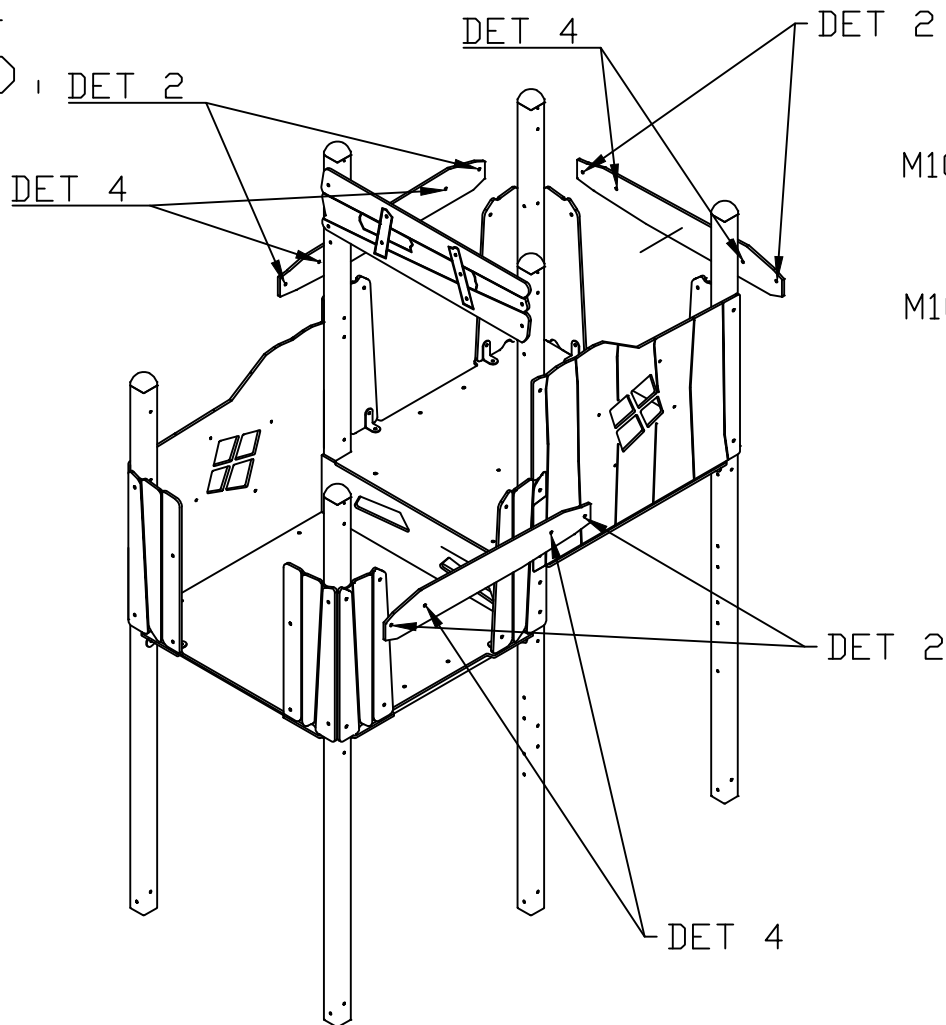
M10x80 x6



5.

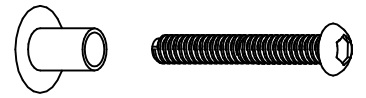
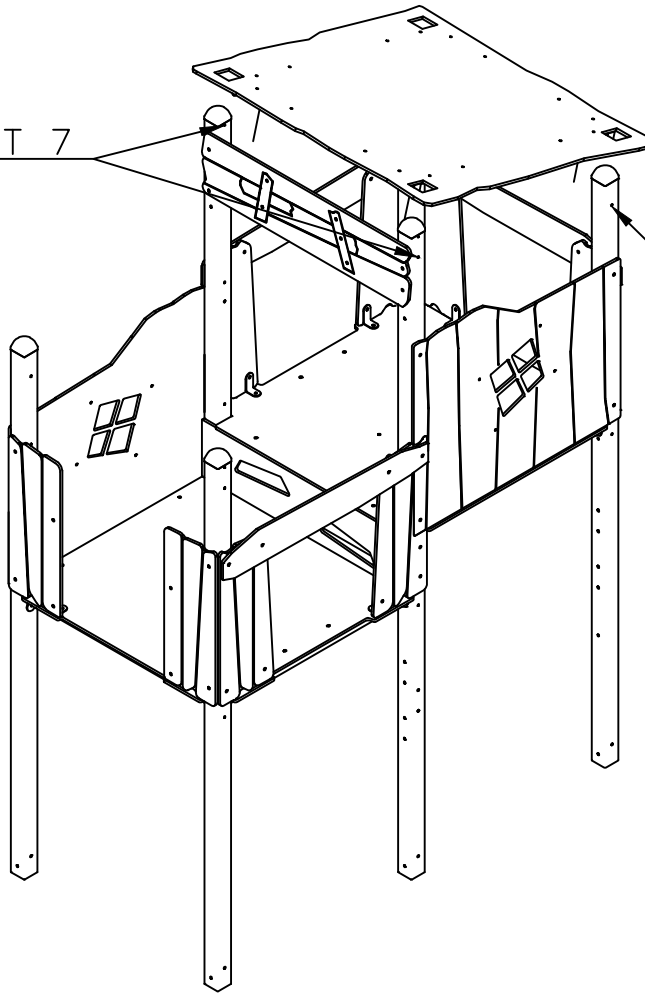


6.



7,

DET 7

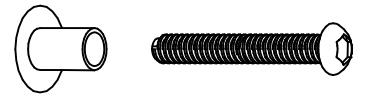
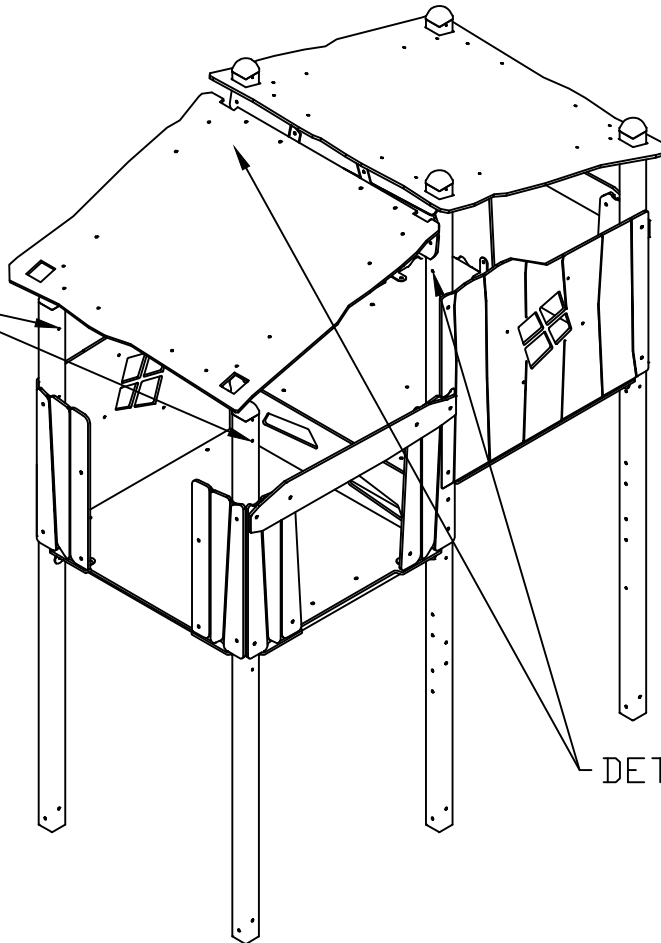


M10x80 x4

DET 7

8,

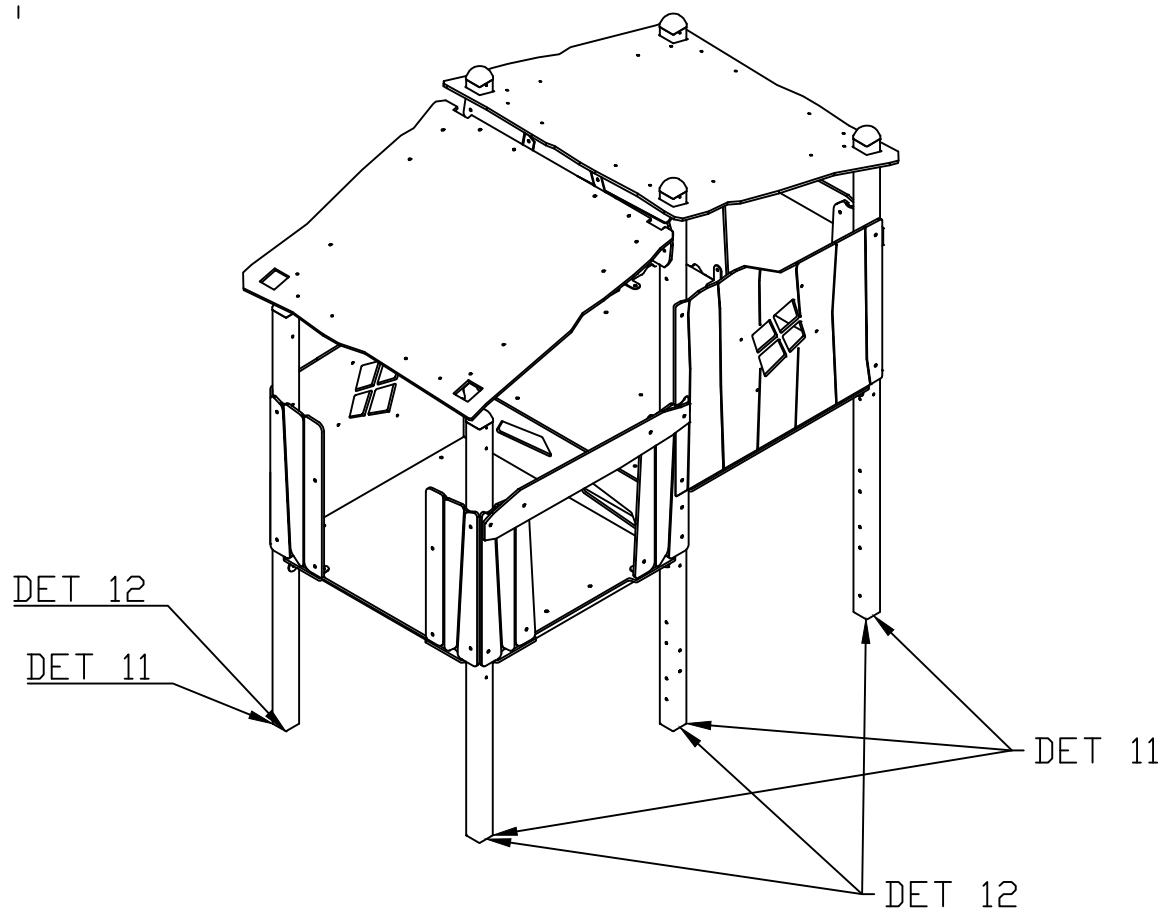
DET 7



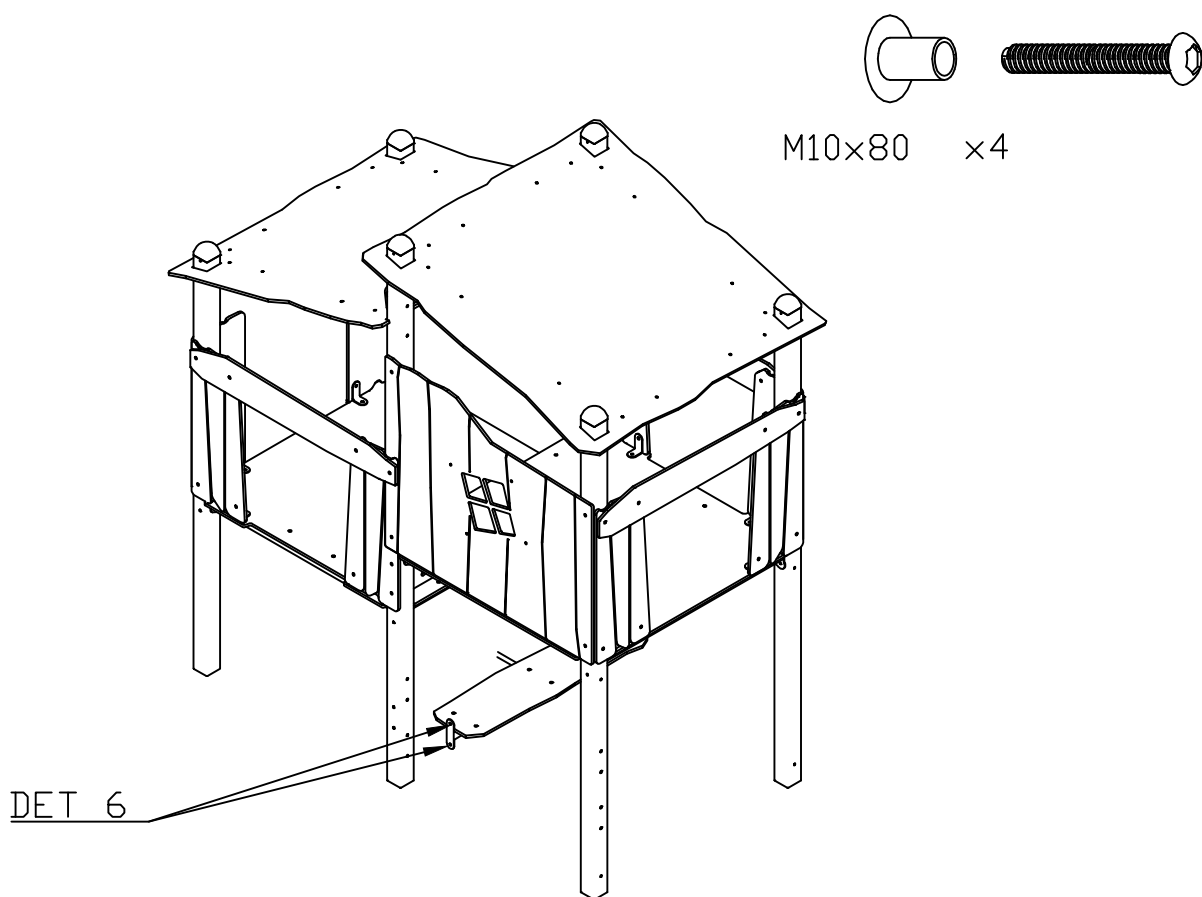
M10x80 x4

DET 7

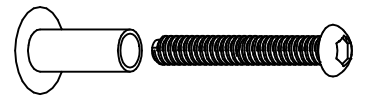
9.



10.

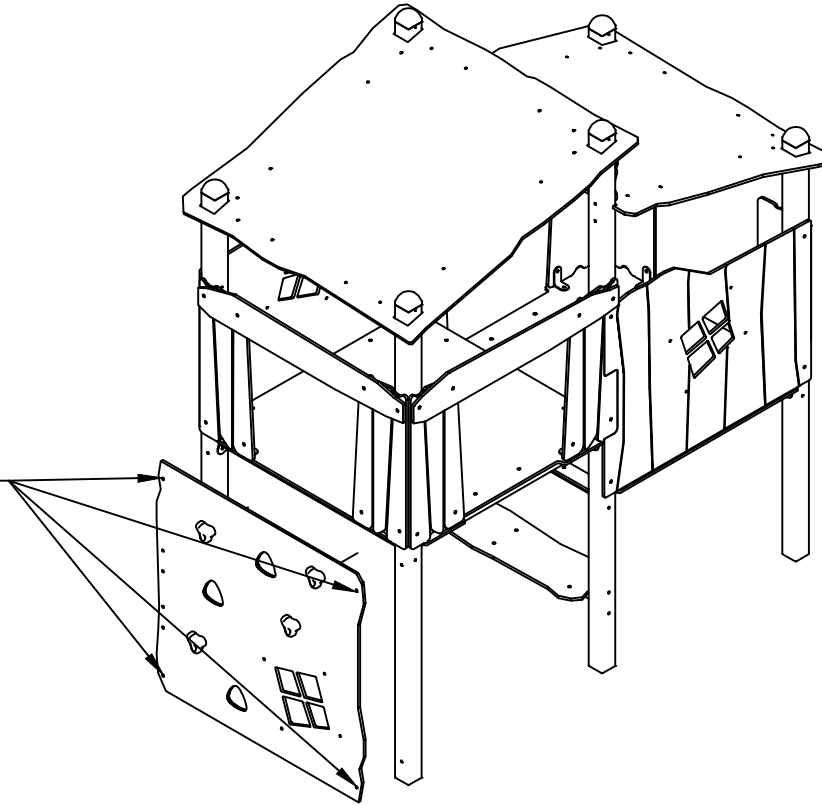


11.

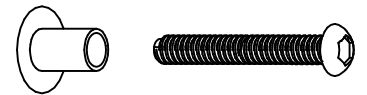


M10x80 x4

DET 2

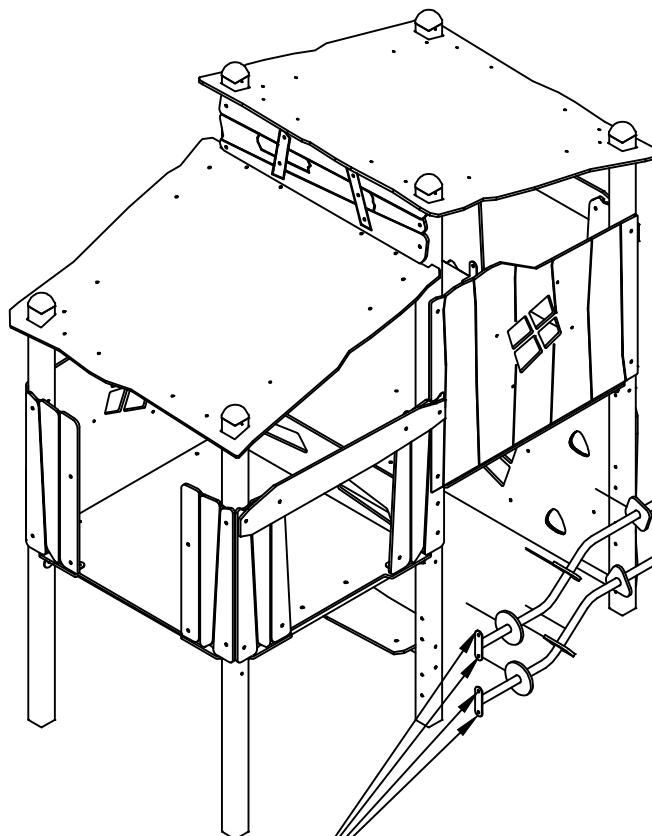


12.



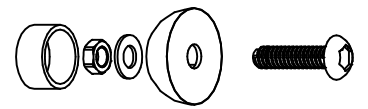
M10x80 x8

DET 6

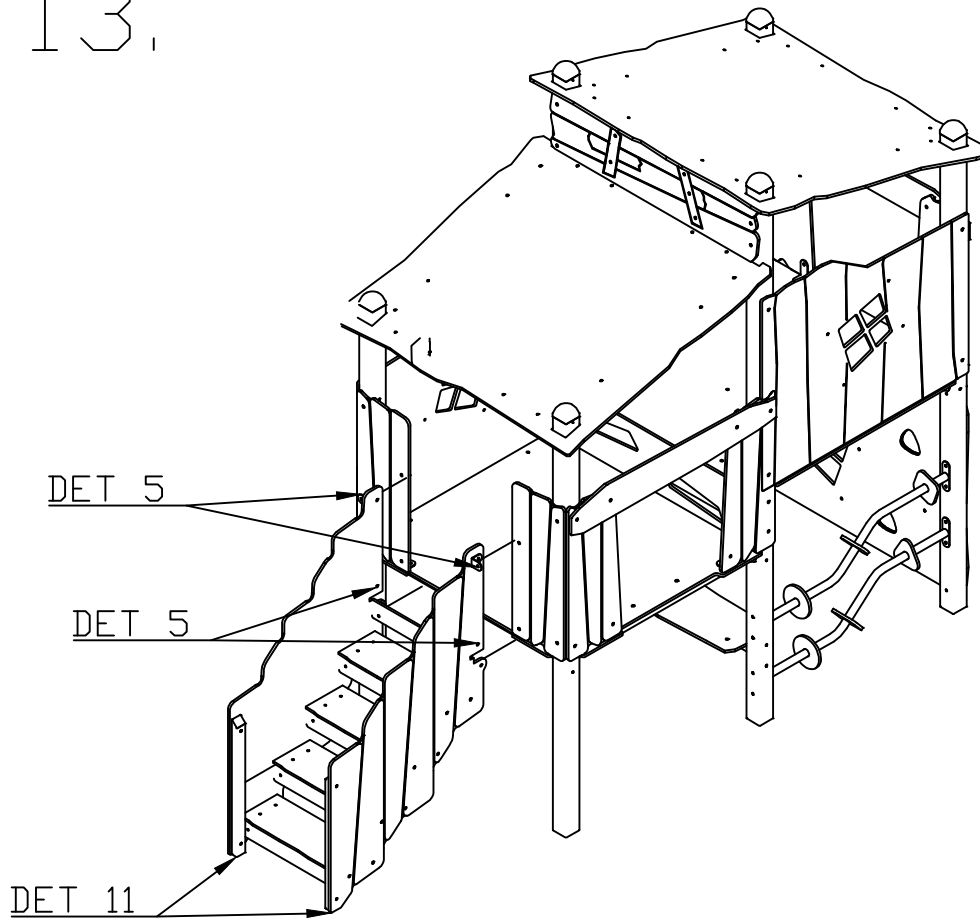


DET 6

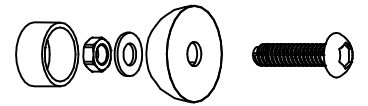
13.



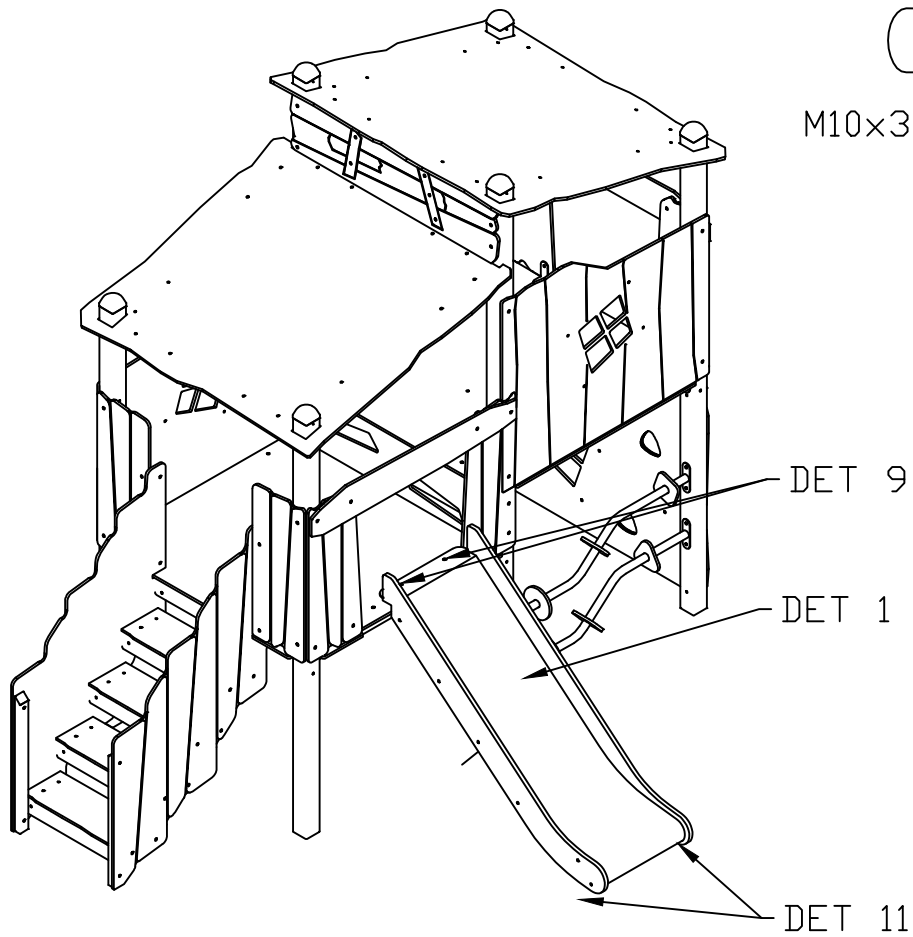
M10x30 x8



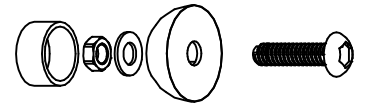
14.



M10x30 x2



15.



M10x30 x2

