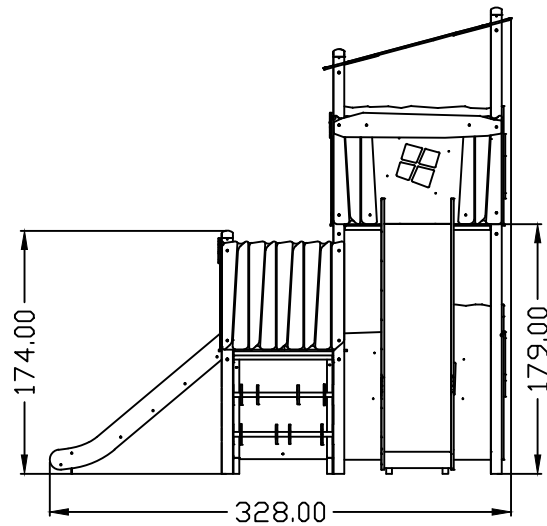
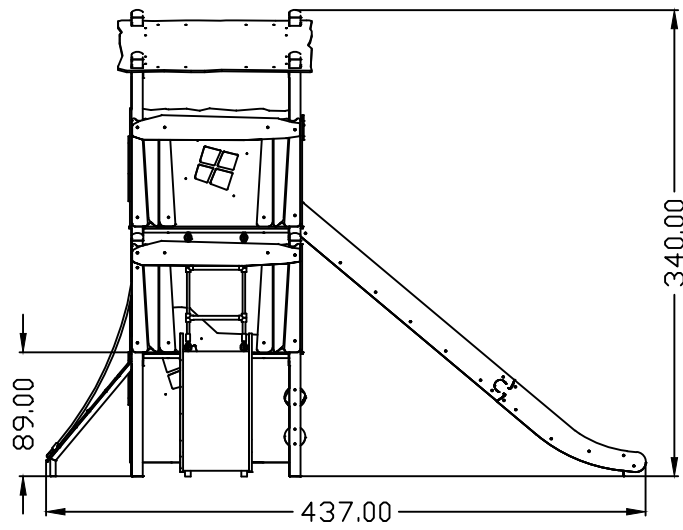
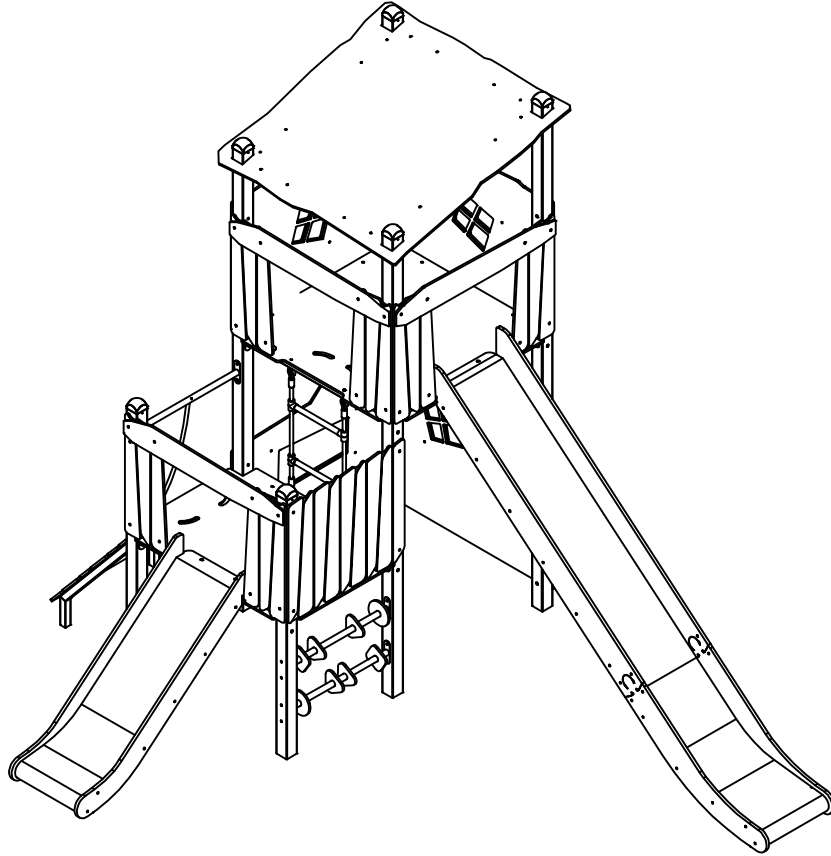
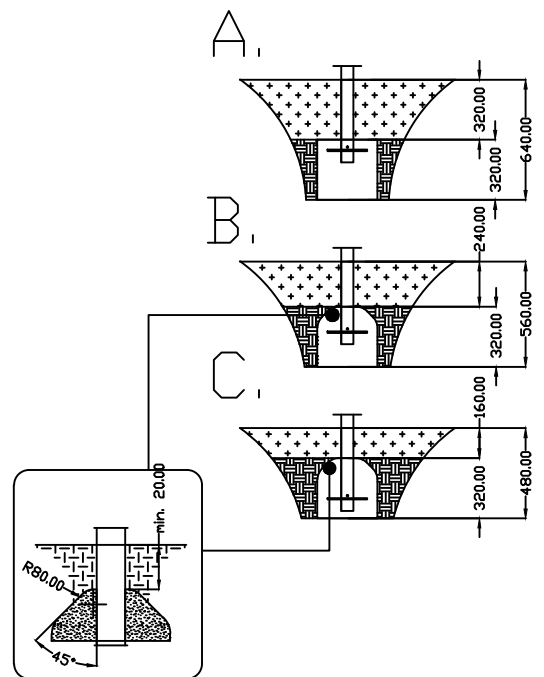
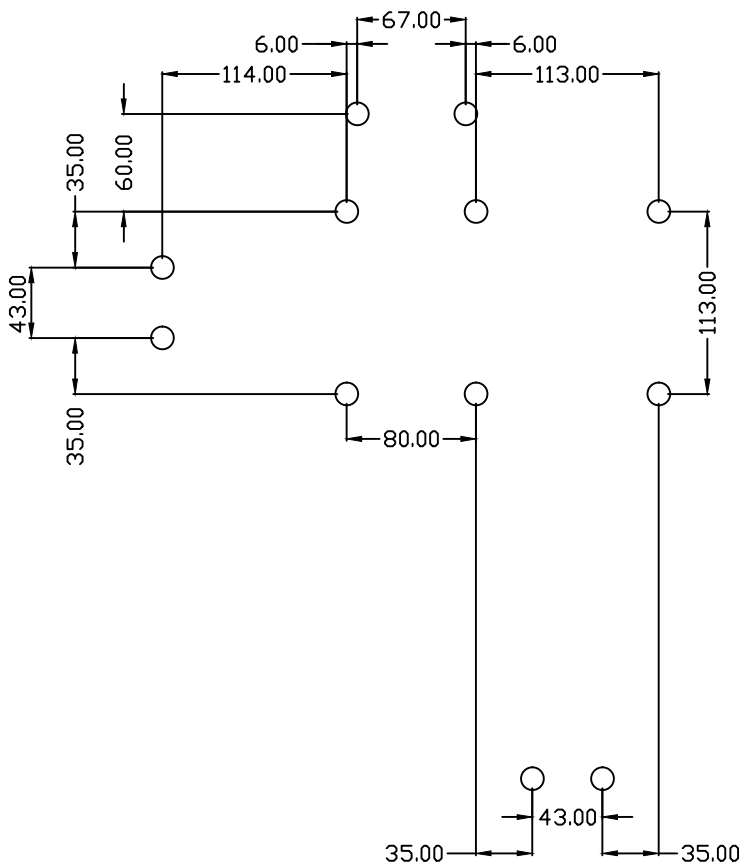
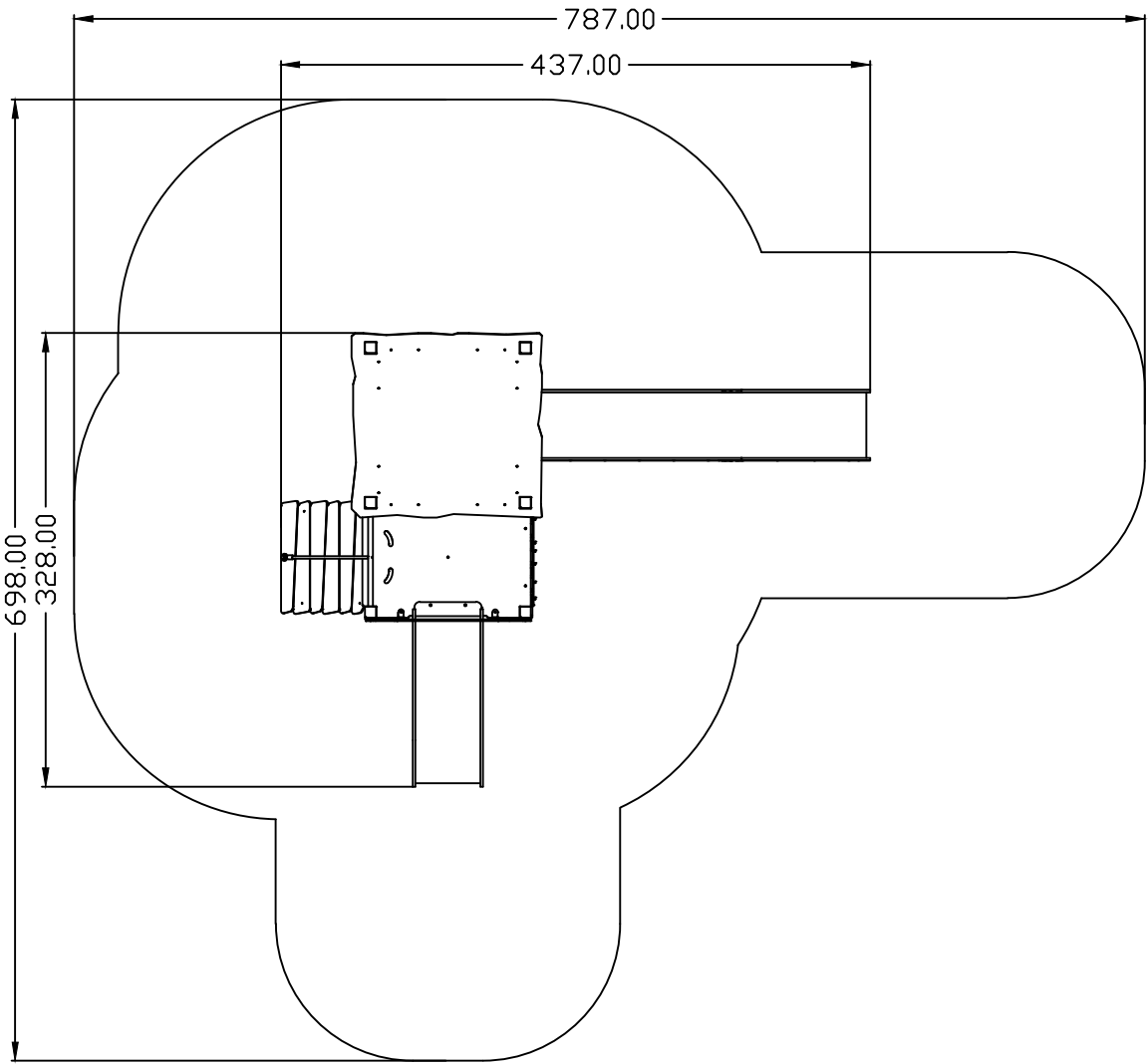


0303







x1



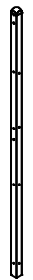
x1



x1



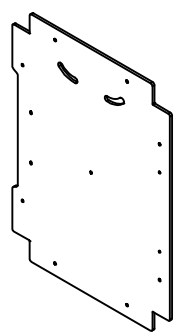
x1



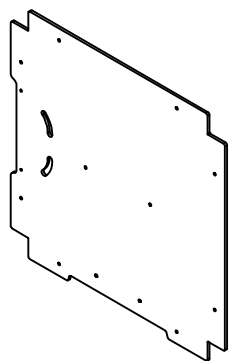
x1



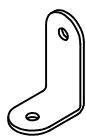
x1



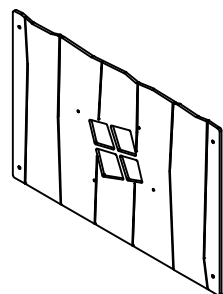
x1



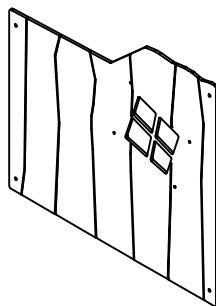
x1



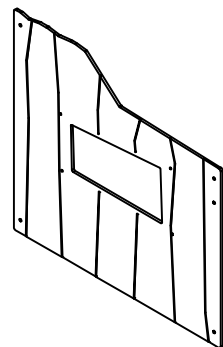
x6



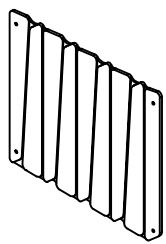
x2



x1



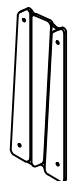
x1



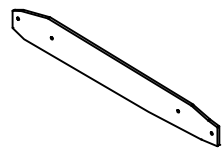
x1



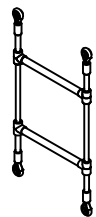
x3



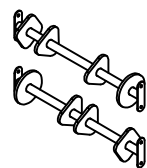
x3



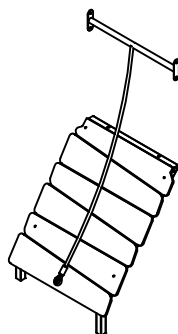
x3



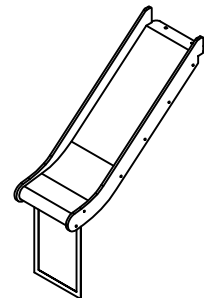
x1



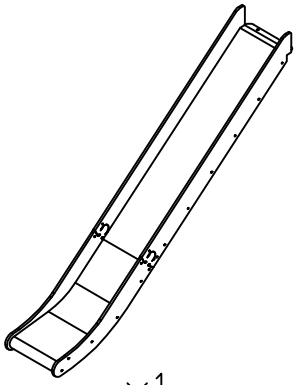
x2



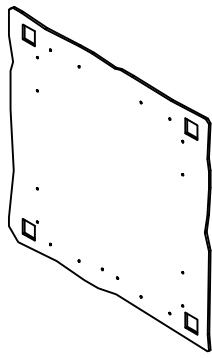
x1



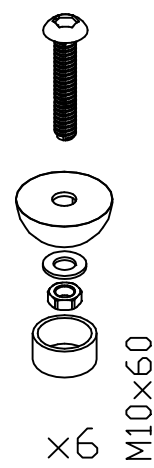
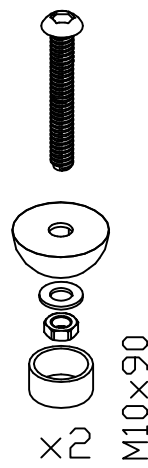
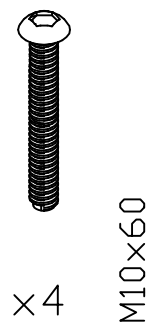
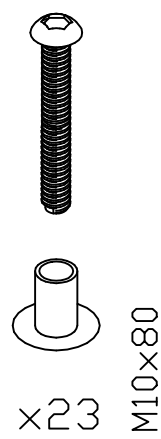
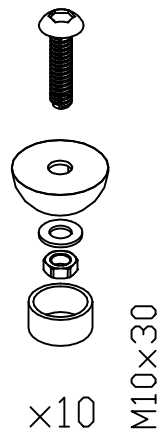
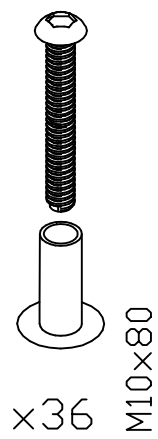
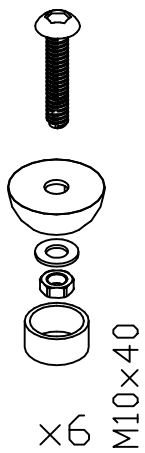
x1



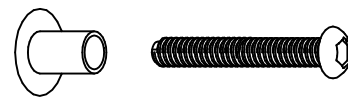
x1



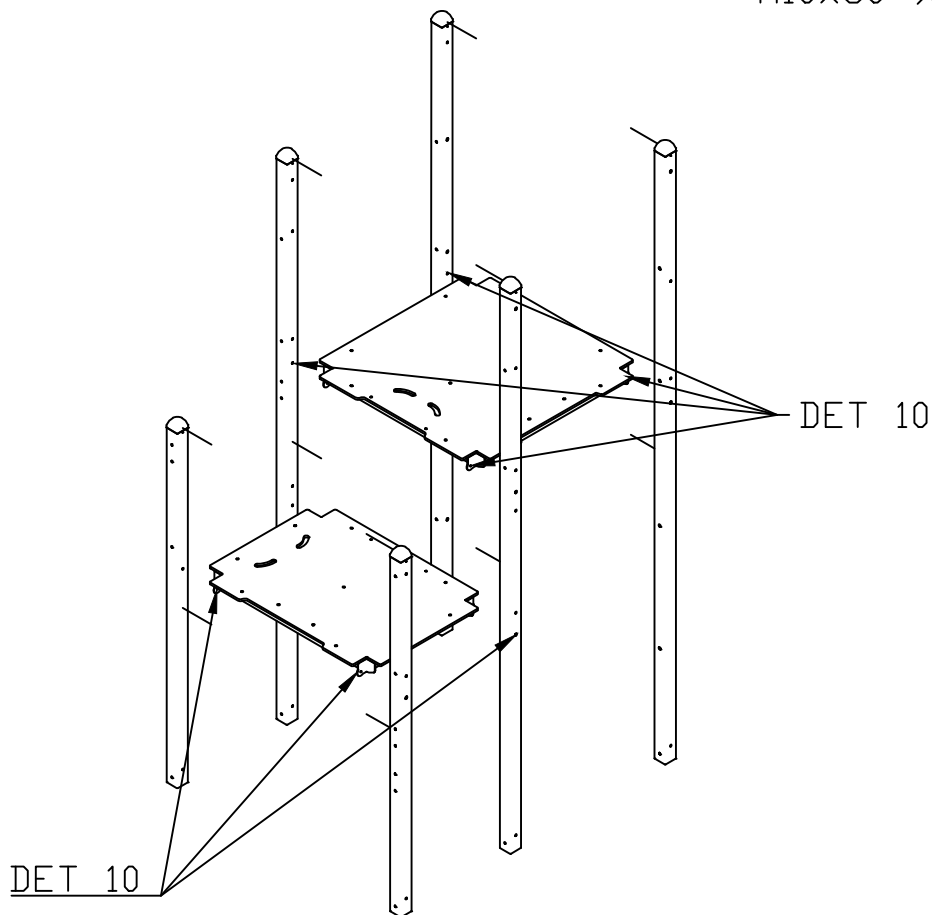
x1



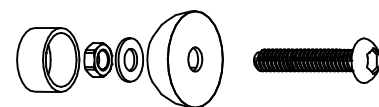
1.



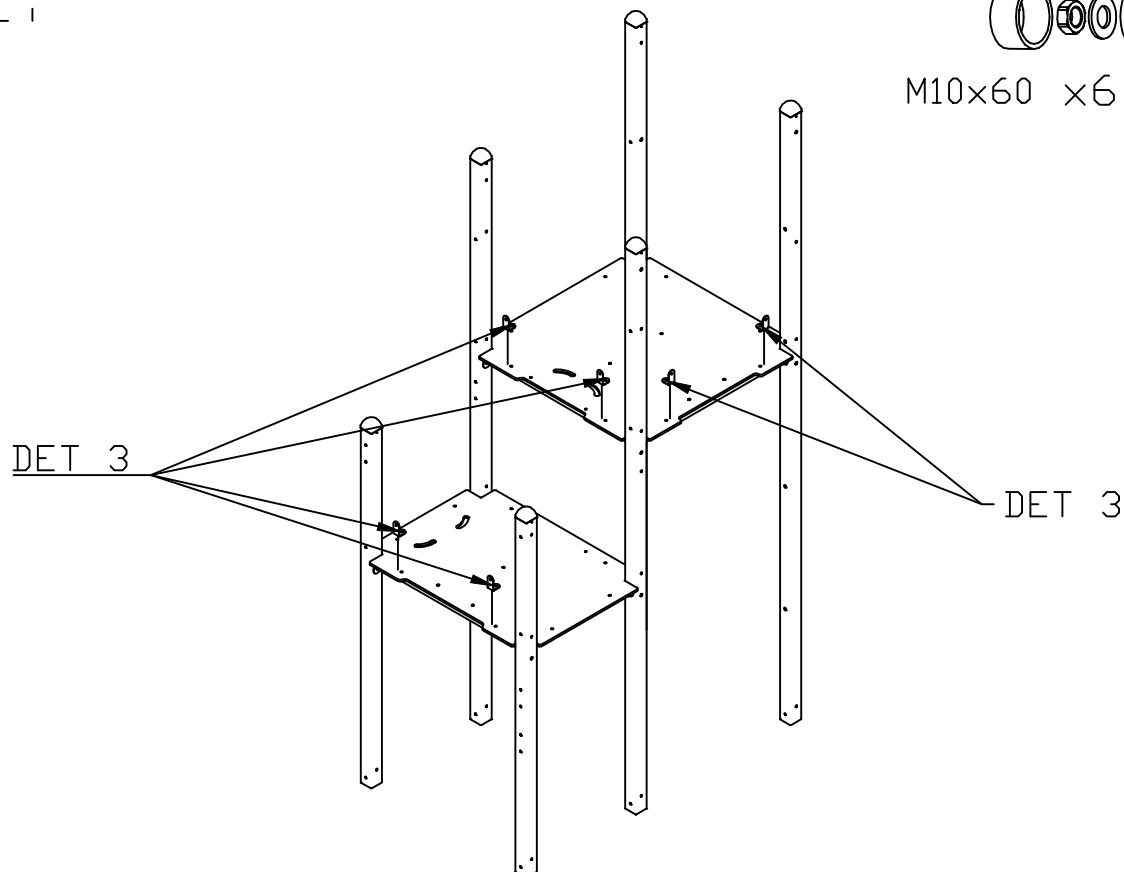
M10x80 x7



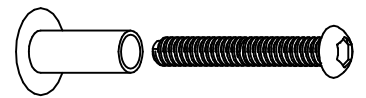
2.



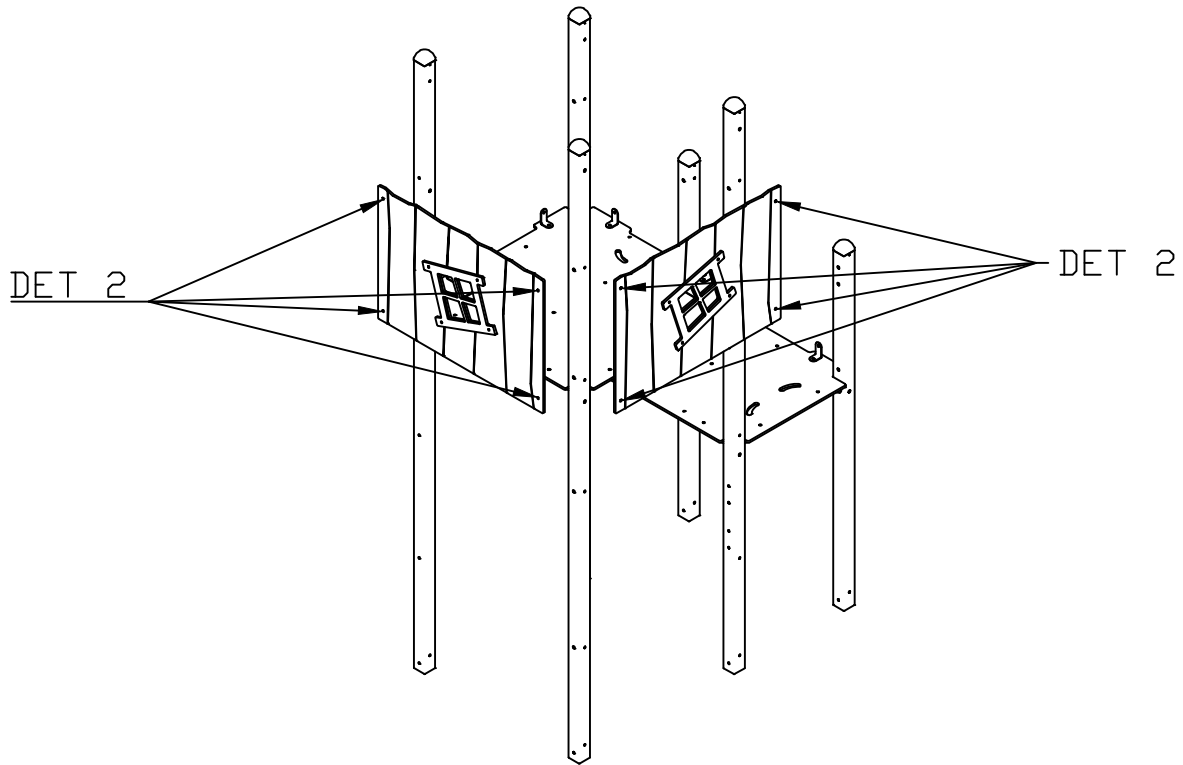
M10x60 x6



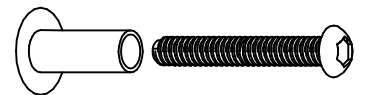
3.



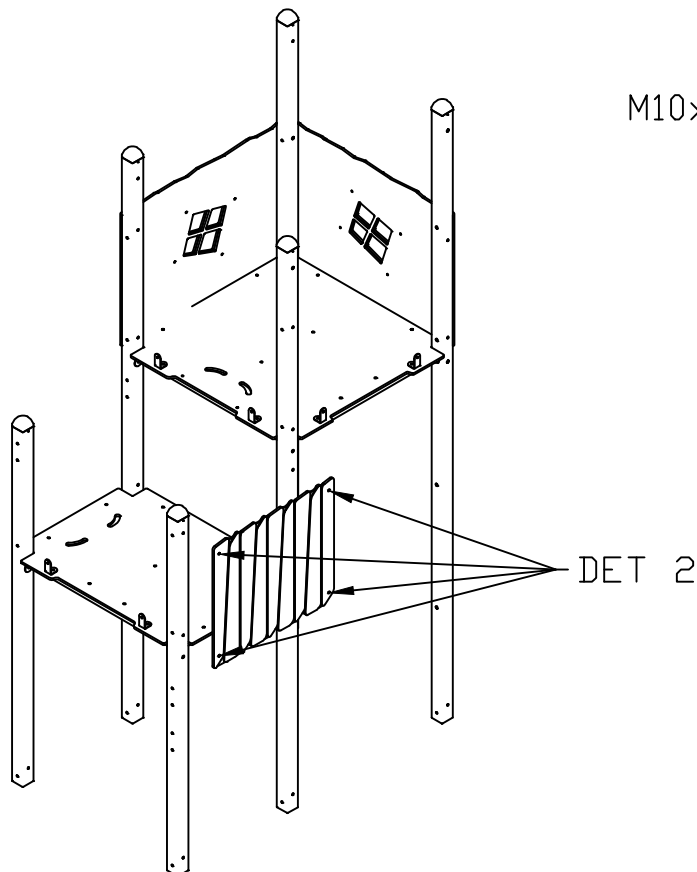
M10x80 x8



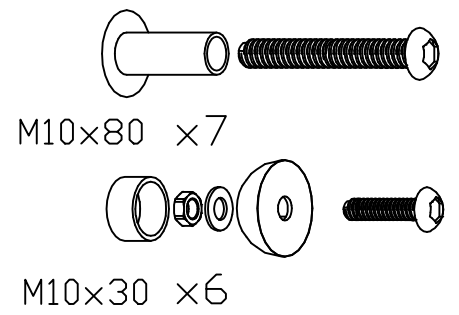
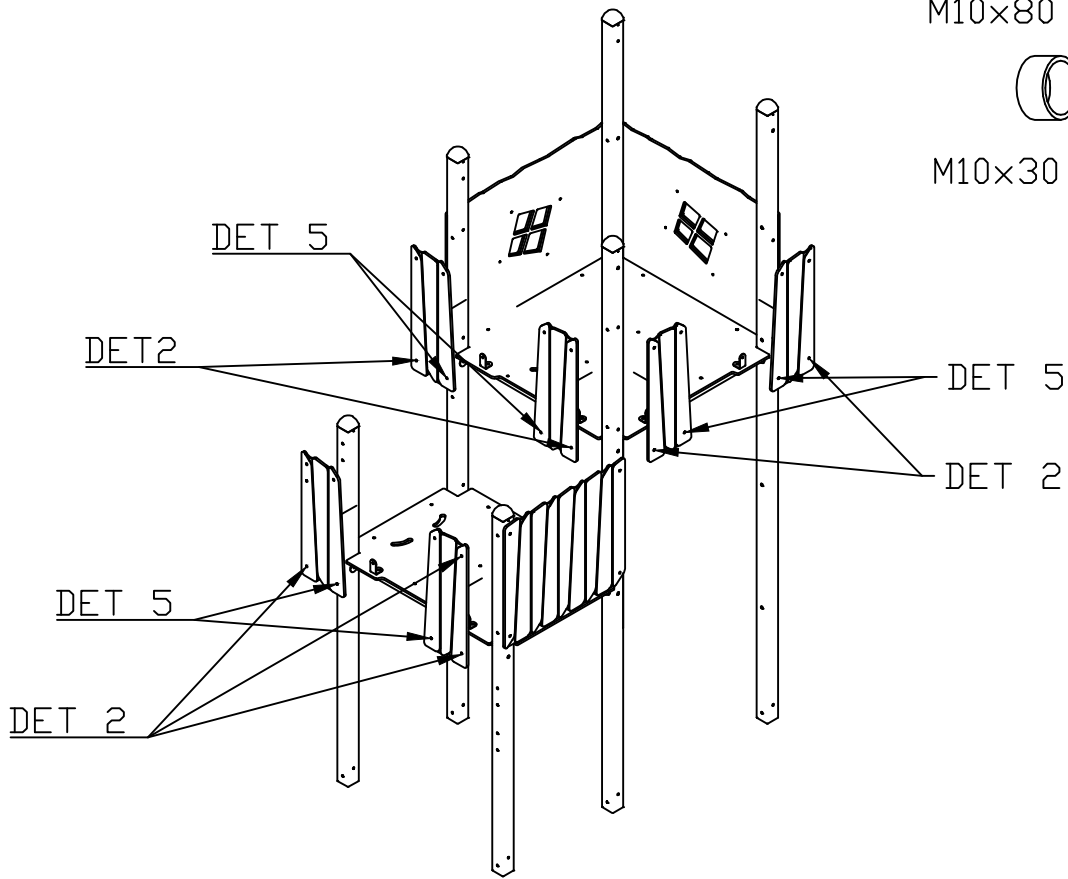
4.



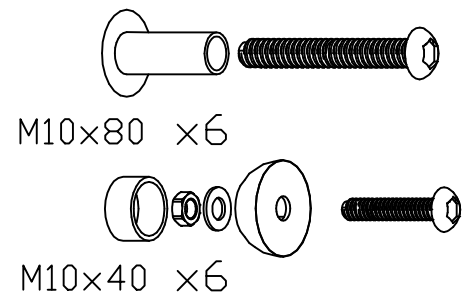
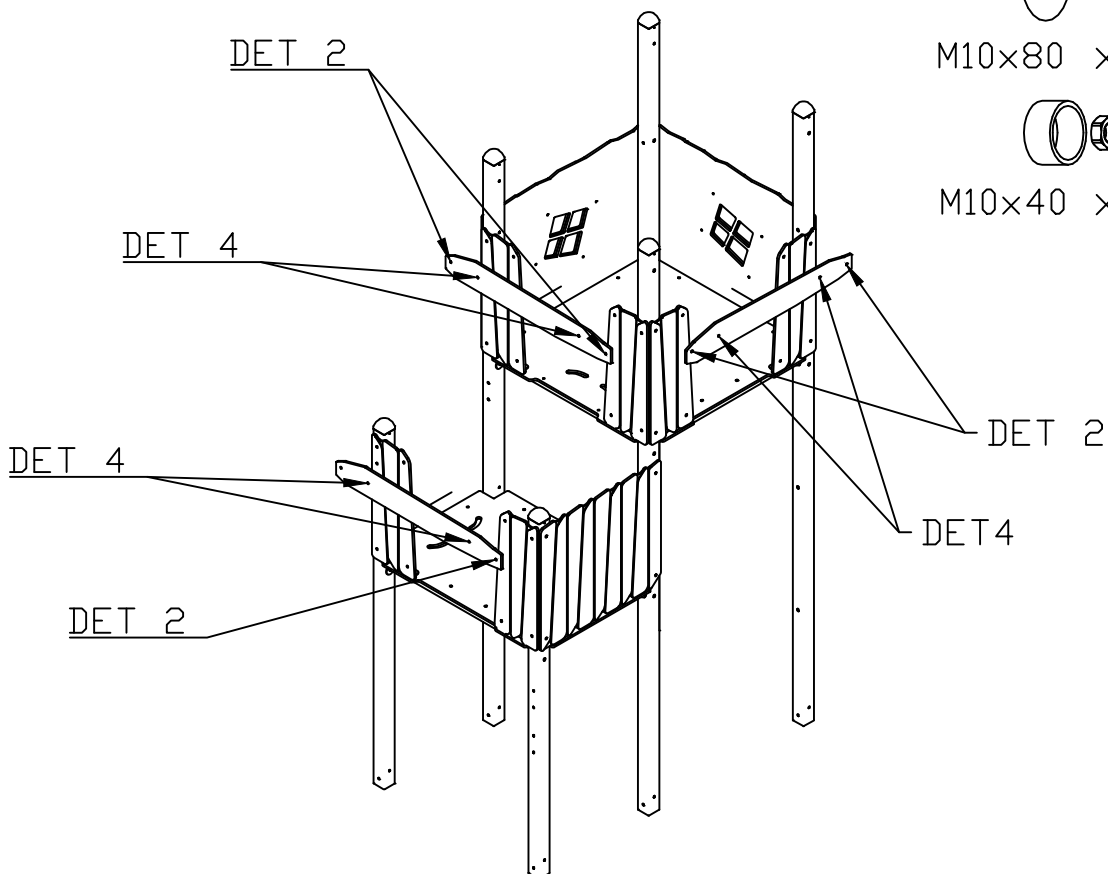
M10x80 x4



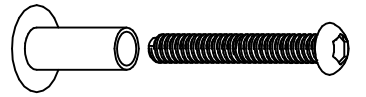
5.



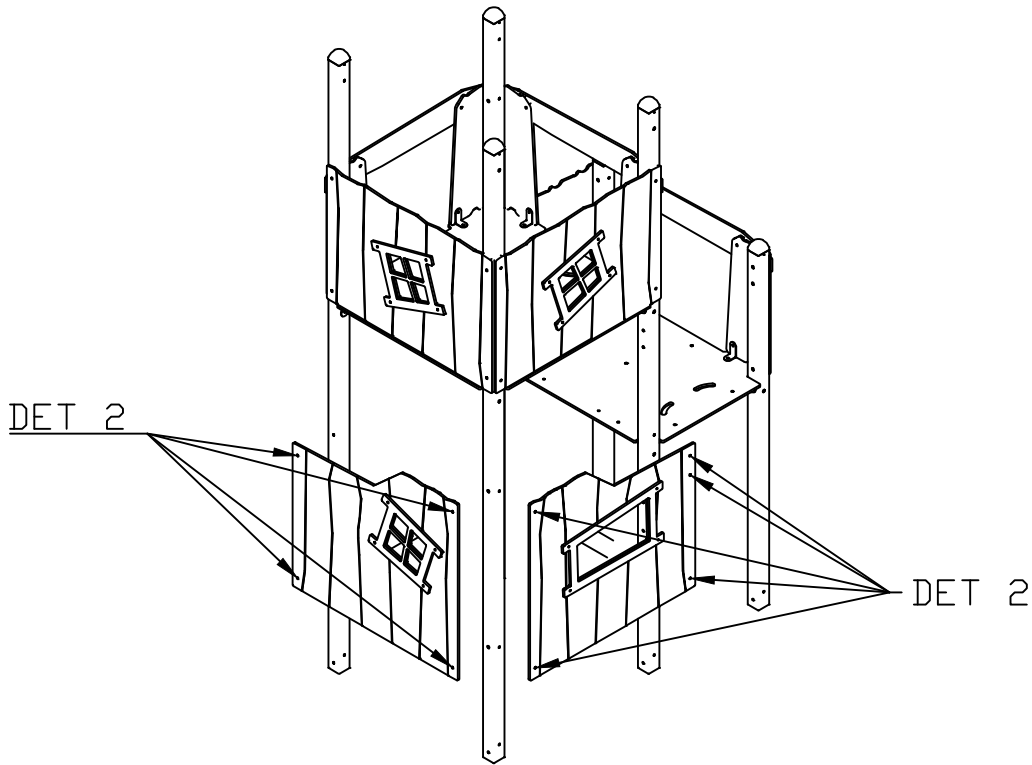
6.



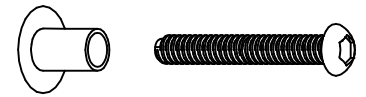
7,



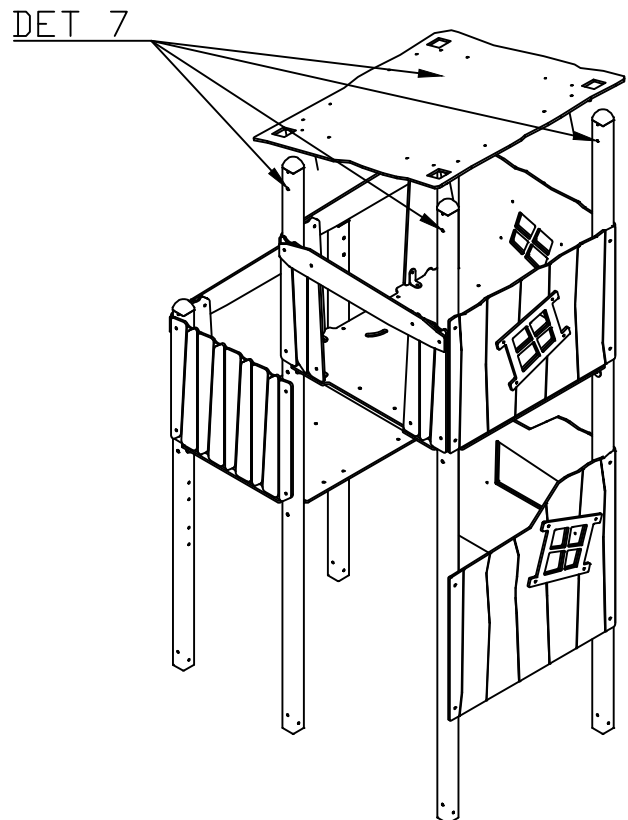
M10x80 x9



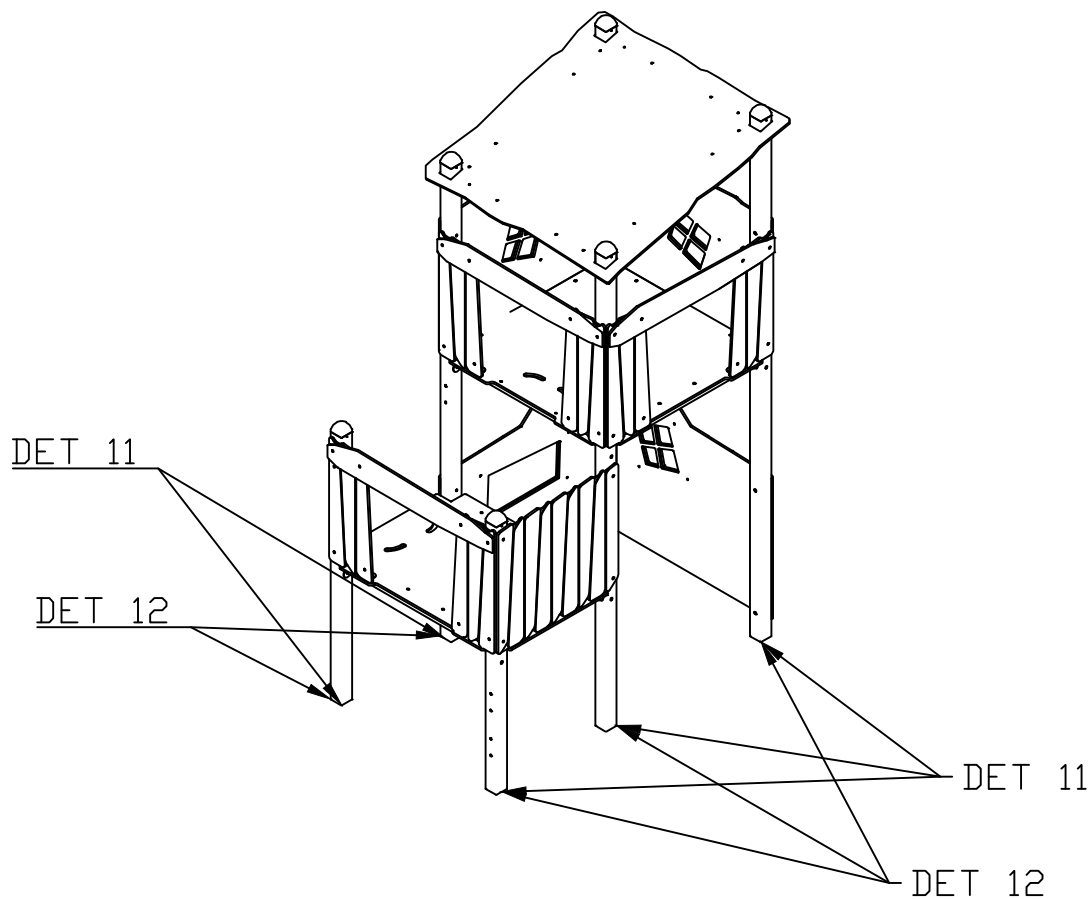
8,



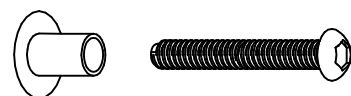
M10x80 x4



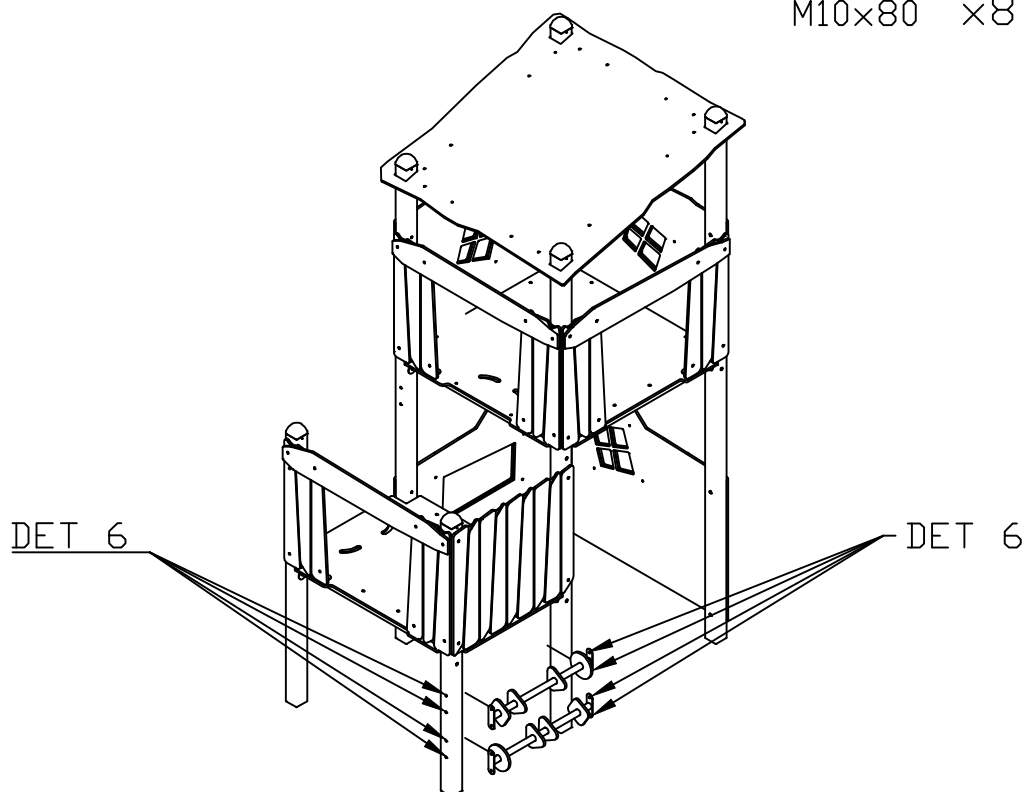
9.



10.



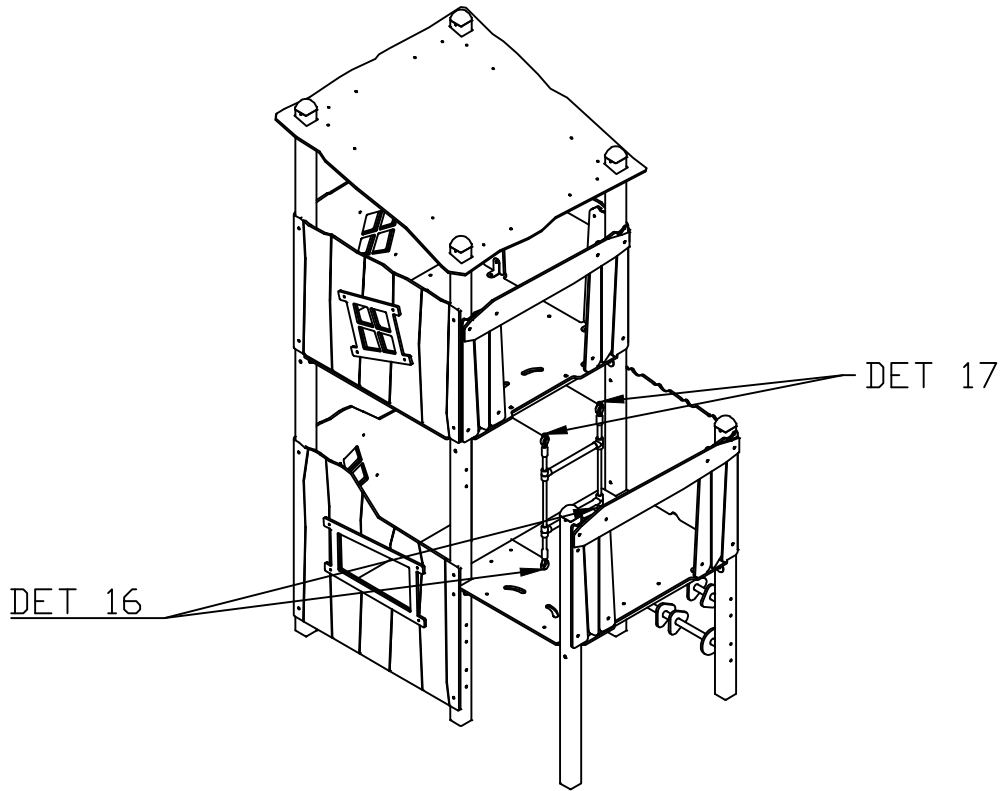
M10x80 x8



11.



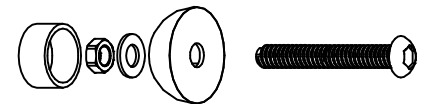
M10x60 x4



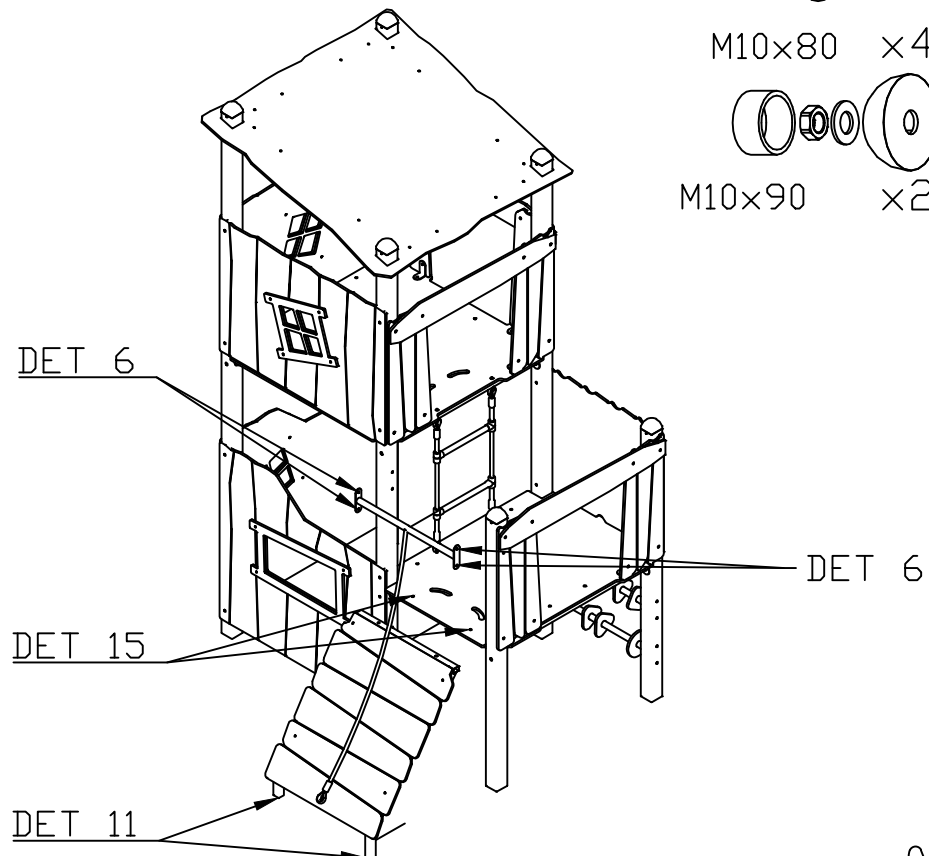
12.



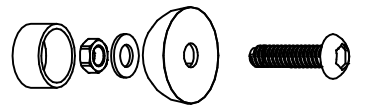
M10x80 x4



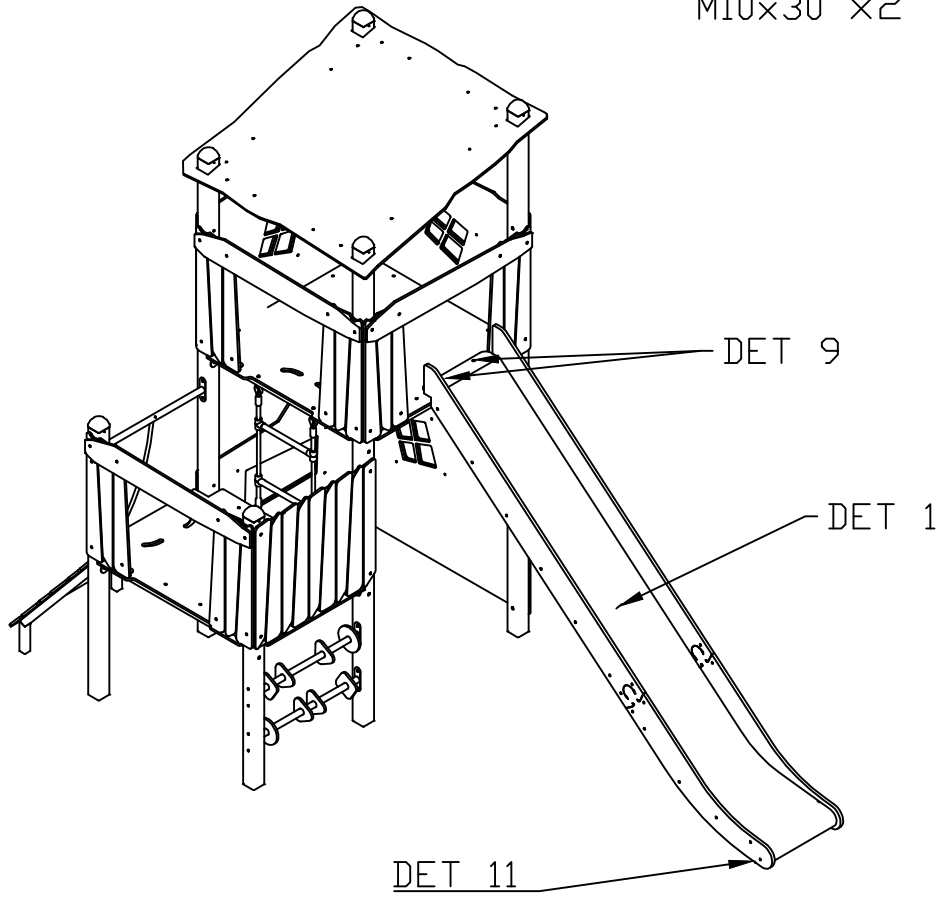
M10x90 x2



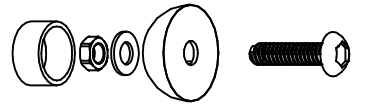
13.



M10x30 x2



14.



M10x30 x2

